

Flat suction cup (round)

<https://www.schmalz.com/10.01.01.10335>

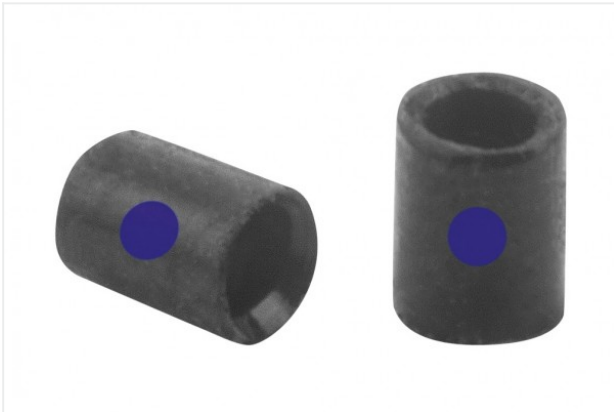


PFG 1 NBR-AS-55 N001

Part no.: 10.01.01.10335

Homepage > Vacuum Technology for Automation > Vacuum Components > Vacuum Suction Cups > Flat Suction Cups (Round) > PFG 1 NBR-AS-55 N001

Flat suction cup (round) for smooth or slightly rough surfaces



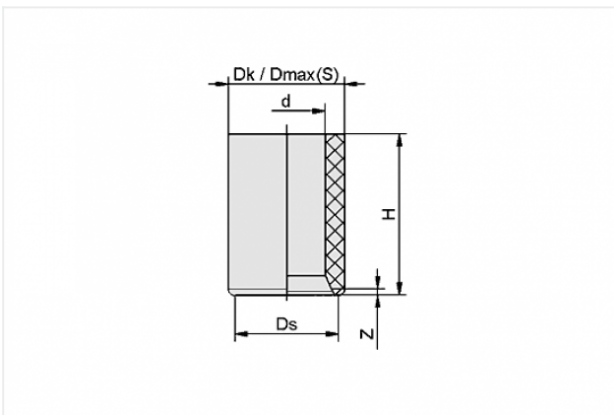
Size: 1

Suction cup material:

Nitrile rubber NBR-antistat

Material hardness: 55 °Sh

Design Data



Attribute	Value
-----------	-------

d	0.8 mm
---	--------

Dk	1.2 mm
----	--------

Dmax(S)	1.2 mm
---------	--------

Ds	1 mm
----	------

H	1.6 mm
---	--------

Z	0.1 mm
---	--------

Technical Data

Attribute	Value
-----------	-------

Suction force	0.03 N
---------------	--------

Volume	0.001 cm ³
--------	-----------------------

Contact to Schmalz

J. Schmalz GmbH | Johannes-Schmalz-Straße, 72293 Glatten, Deutschland | +49 7443 2403-102 | customercenter@schmalz.de

Attribute	Value
Curve radius (min) (convex)	2 mm
Size	1
Nipple	N 001
Number of folds	0
Suction cup material	Nitrile rubber NBR-antistat
Material hardness	55 °Sh
Weight	0.1 g
Product family	PFG

Accessories



SA-NIP N001 M3-AG DN40

Part no. 10.01.01.00315

Suction cup connection nipple

Nipple: N 001

Thread G1: M3-M

Overall length: 6 mm

Fitting length: 2 mm

Nominal size: 0.40 mm

Material: Aluminium