

# Flat suction cup (round)

PFG 1 NBR-55 N001

Part no.: 10.01.01.00001

<https://www.schmalz.com/10.01.01.00001>



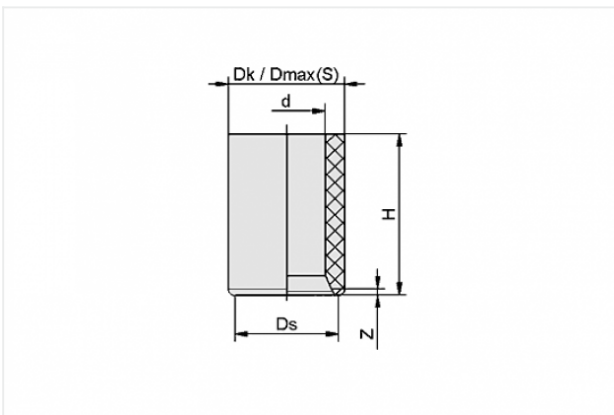
Homepage > Vacuum Technology for Automation > Vacuum Components > Vacuum Suction Cups > Flat Suction Cups (Round) > PFG 1 NBR-55 N001

## Flat suction cup (round) for smooth or slightly rough surfaces



Size: 1  
Suction cup material:  
Nitrile rubber NBR  
Material hardness: 55 °Sh

### Design Data



Attribute	Value
-----------	-------

d	0.8 mm
---	--------

Dk	1.2 mm
----	--------

Dmax(S)	1.2 mm
---------	--------

Ds	1 mm
----	------

H	1.6 mm
---	--------

Z	0.1 mm
---	--------

### Technical Data

Attribute	Value
-----------	-------

Suction force	0.03 N
---------------	--------

Volume	0.00084 cm <sup>3</sup>
--------	-------------------------

### Contact to Schmalz

J. Schmalz GmbH | Johannes-Schmalz-Straße, 72293 Glatten, Deutschland | +49 7443 2403-102 | [customercenter@schmalz.de](mailto:customercenter@schmalz.de)

Attribute	Value
Curve radius (min) (convex)	2 mm
Size	1
Nipple	N 001
Number of folds	0
Suction cup material	Nitrile rubber NBR
Material hardness	55 °Sh
Weight	0.03 g
Product family	PFG

## Accessories



### SA-NIP N001 M3-AG DN40

Part no. 10.01.01.00315

Suction cup connection nipple

Nipple: N 001

Thread G1: M3-M

Overall length: 6 mm

Fitting length: 2 mm

Nominal size: 0.40 mm

Material: Aluminium