

# Suction cup connection nipple

## SA-NIP N001 M3-AG DN40

<https://www.schmalz.com/10.01.01.00315>



Part no.: 10.01.01.00315

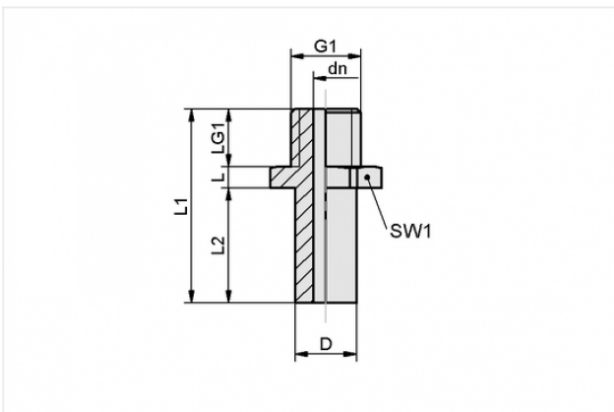
Homepage > Vacuum Technology for Automation > Vacuum Components > Vacuum Suction Cups > Flat Suction Cups (Round) > SA-NIP N001 M3-AG DN40

## Suction cup connection nipple



Nipple: N 001  
Thread G1: M3-M  
Overall length: 6 mm  
Fitting length: 2 mm  
Nominal size: 0.40 mm  
Material: Aluminium

## Design Data



Attribute	Value
D	0.9 mm
dn	0.4 mm
G1	M3-M
L	2 mm
L1	6 mm
L2	1 mm
LG1	3 mm
SW1	5 mm

## Technical Data

### Contact to Schmalz

J. Schmalz GmbH | Johannes-Schmalz-Straße, 72293 Glatten, Deutschland | +49 7443 2403-102 | [customercenter@schmalz.de](mailto:customercenter@schmalz.de)

Attribute	Value
Nipple	N 001
Material	Aluminium
Weight	0.2 g

## Accessories



### **PFG 1 NBR-55 N001**

Part no. 10.01.01.00001

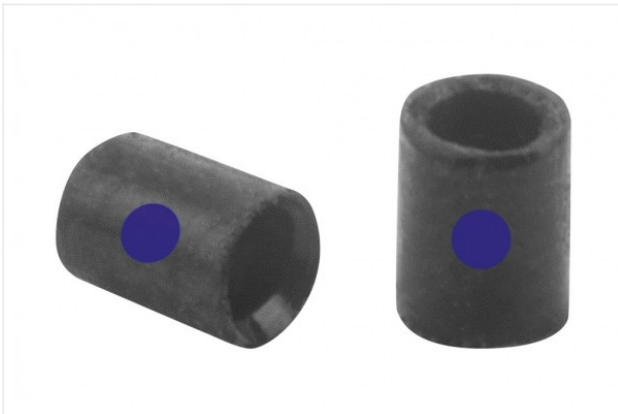
Flat suction cup (round) for smooth or slightly rough surfaces

Size: 1

Suction cup material:

Nitrile rubber NBR

Material hardness: 55 °Sh



### **PFG 1 NBR-AS-55 N001**

Part no. 10.01.01.10335

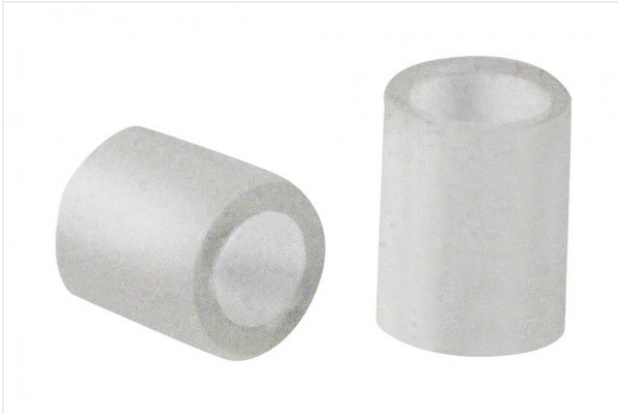
Flat suction cup (round) for smooth or slightly rough surfaces

Size: 1

Suction cup material:

Nitrile rubber NBR-antistat

Material hardness: 55 °Sh



**PFG 1 SI-55 N001**

Part no. 10.01.01.00021

Flat suction cup (round) for smooth or slightly rough surfaces

Size: 1

Suction cup material: Silicone SI

Material hardness: 55 °Sh

Material characteristics:

FDA-compatible