

# PS-150E PanelSafe Easy fit - self tapping

INDUSTRY FIT:  

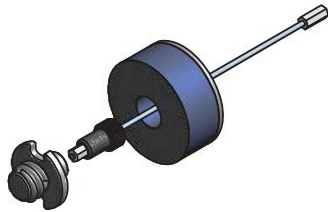
SPECIFICATION:

STANDARD RANGE

Standard 150mm drop, custom lengths available on request

The Fastmount™ multi-award winning system has revolutionized the mounting of panels. Panels can easily be removed and refitted in any sequence time after time.

PanelSafe Easy fit restraint systems provide added security & control. The panel is suspended below the ceiling for convenient servicing behind the panel or controlled removal of the panel by releasing the wire. For use with fastmount system clips & installation tools.



USE WITH:

PS-SM

PC-01



### BENEFITS

- Secures heavy panels
- Easy one person removal of large panels
- Convenient servicing behind panel without full removal
- Prevents panels falling during fire exit
- Works with existing Fastmount clips
- Variable length to suit application

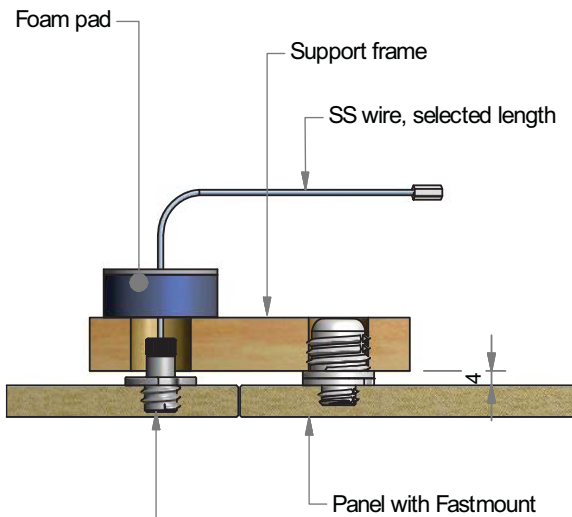
### APPLICATIONS

- Inspection & service panels
- Panels above valuable furniture and artwork
- Surface mount option available
- Heavy panels
- Large panels

MATERIAL: Aluminium & stainless steel

MORE INFO: Installation Guide IG PS-150E, Setout Guide IG PS-150E/2

INSTALLATION: Partially exploded section through showing typical installation method



PS-150E  
Use PS-S150E for glue fix option, has PS-D base

