

# LARGE RECESSED PULL HH-M

SUS



HH-M400

- Large type allows for easy handling with glove on.
- Handlebar does not protrude from the face of the handle.
- All stainless steel pull with handlebar length 200mm and 400mm.

**[Applications]**

- Special vehicles, containers, large doors and ships, etc.

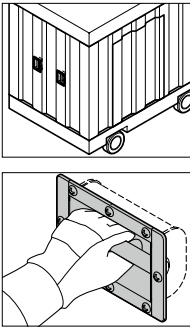
**[Remarks]**

- Load capacity represents the strength of the pull itself. Actual load capacity may vary depending on wall and cabinet materials. Please install the pull at places with sufficient strength or places reinforced.

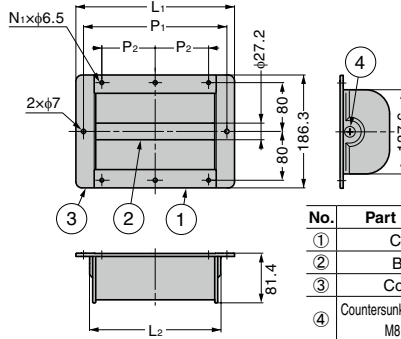
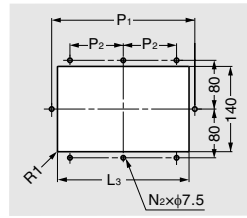
**[Parts Included]**

- Truss head screw M6 x 16 (SUS)
- Nut M6 (SUS)

**[Application Example]**



**[Cut Out Dimensions]**



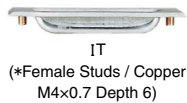
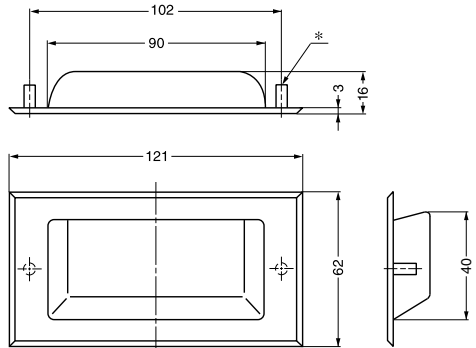
No.	Part Name	Material	Finish
①	Cup	Stainless Steel (SUS304)	Polished
②	Bar		
③	Cover	Stainless Steel (SCS13)	
④	Countersunk Head Screw M8 x 15	Stainless Steel	-

※SCS13 is equivalent of SUS304.

RoHS	CAD	Item Code	Item Name	L1	L2	L3	P1	P2	N1	Holes N2	Load Capacity N	Load Capacity kgf	Weight (kg)	Box (pcs)	Carton (pcs)
☑	☑	100-012-306	HH-M200	260	215	218	235	87.5	6	8	4500	459	2.6	1	4
☑	☑	100-012-305	HH-M400	460	415	418	435	125	8	10	2200	224	3.7	1	2

# RECESSED PULL ES-611

NSF SUS



RoHS	CAD	Item Code	Item Name	Material	Finish	Weight (g)	Box (pcs)	Carton (pcs)
-	-	100-017-659	ES-611/ET	Stainless Steel (SUS304)	Satin	68	20	200
-	-	100-012-957	ES-611/IT			60		