

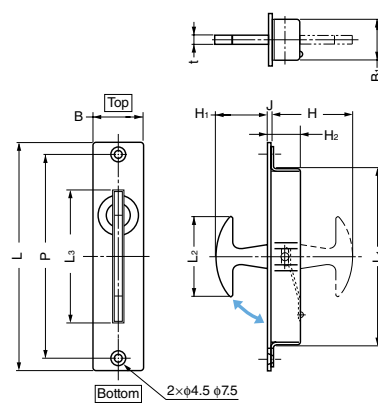
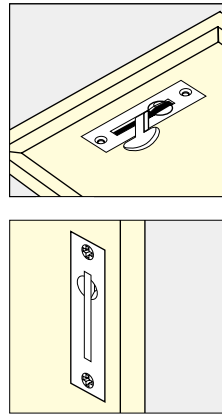
STAINLESS STEEL HATCH PULL



ST-90, ST-115



Application Example



Features

- Can be used vertically, on the ceiling or on the ground. Has a wide variety of potential applications.
- Uses a built in spring to hold in place, protecting it from unintentional movements from vibrations.

Parts Included

Countersunk head wood screw (SUS)

Item Code	Item Name	Material	Finish	L	L ₁	L ₂	L ₃	H	H ₁	H ₂	J	B	B ₁	t	P	Screw	Weight	Box	Carton
100-010-240	ST- 90	Stainless Steel (SUS304)	Satin	90	66.2	30.2	57	35.5	23.2	10.5	2.2	22	18.5	3.8	80	3.5x22	68 g	30 pcs	300 pcs
100-010-241	ST-115	Stainless Steel (SUS304)	Satin	115	86.2	40	67	42	26	13	2.5	25	20	4	102	3.5x25	102 g	20 pcs	200 pcs

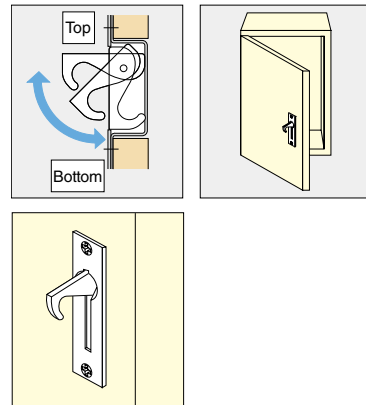
STAINLESS STEEL HATCH PULL



ST-80, ST-100

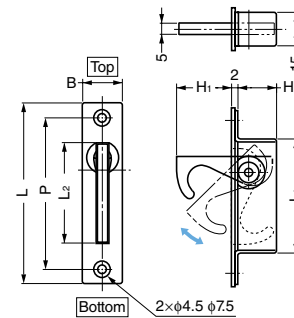


Application Example



Parts Included

Countersunk head wood screw (SUS)

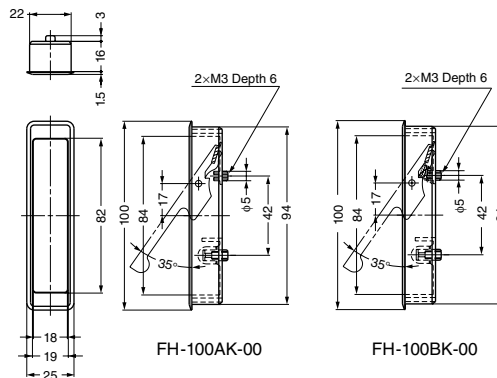


Item Code	Item Name	Material	Finish	L	L ₁	L ₂	H	H ₁	B	P	Screw	Weight	Box	Carton
100-010-244	ST- 80	Stainless Steel (SUS304)	Satin	80	50	44	18	25	18	68	3.5x16	48 g	30 pcs	300 pcs
100-010-245	ST-100	Stainless Steel (SUS304)	Satin	100	63	54	21	32	20	85	3.5x20	66 g	20 pcs	200 pcs

RECESSED LEVER PULL



FH-100AK, FH-100BK



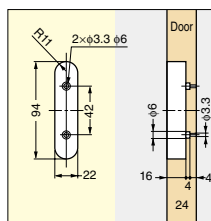
Features

- FH-100AK (Stay type) will stay open even after the fingers are not longer holding the lever.
- FH-100BK (Return type) will automatically close after fingers are not holding the lever.
- Recommended for doors over 25mm thick.
- When installing on sheet metal, please prepare a separate bracket for sheet metal.

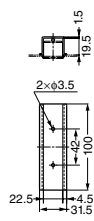
Parts Included

Truss head screw M3x12

Cut Out Dimensions



Bracket for Sheet Metal (example)



Item Code	Item Name	Material	Finish		Weight	Box	Carton
			Body	Handle			
100-010-251	FH-100AK-00	Zinc Alloy (ZDC)	Nickel	Satin Nickel	105 g	12 pcs	72 pcs
100-010-252	FH-100BK-00	Zinc Alloy (ZDC)	Nickel	Satin Nickel	105 g	12 pcs	72 pcs