

RECESSED PULL WITH VENTILATOR



UTA-105



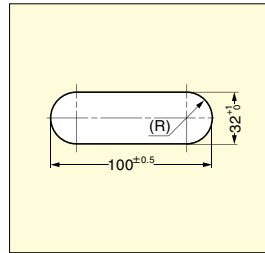
Features

- Helps prevent buildup of smells or moisture when used on lockers or cabinets.
- Ventilator is not visible from the front, providing a clean appearance.
- Made from chemically resistant resin: not easily damaged by cleaning chemicals.

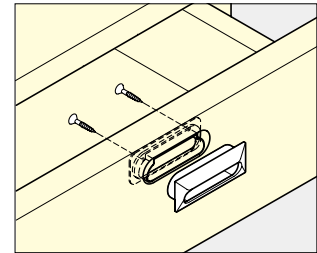
Parts Included

Countersunk head tapping screw 4x20 (SUS)

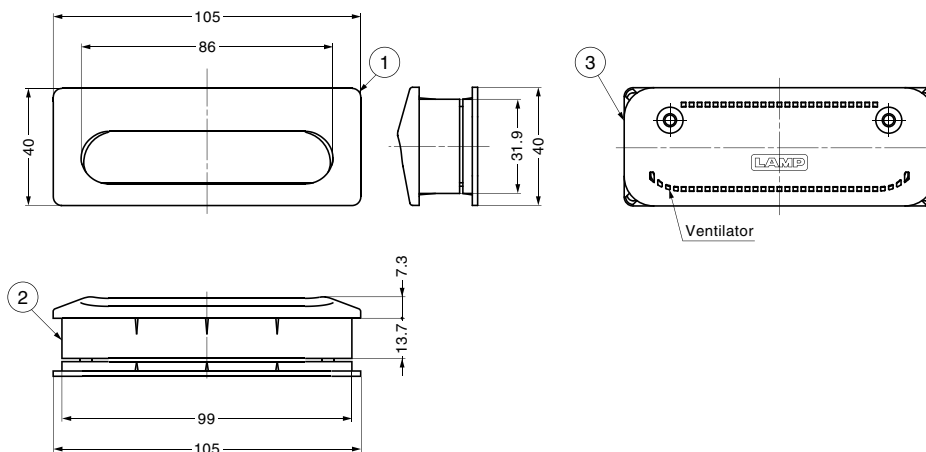
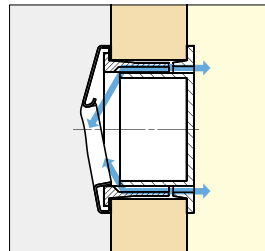
Cut Out Dimensions



Installation



Air Flow



No.	Part Name	Material	Finish
①	Body	Stainless Steel (SUS304)	Satin
②	Cup	ABS	-
③	Back Cover	ABS	-

Item Code	Item Name	Colour	Max. Exhaust Area	Door Thickness	Weight	Box	Carton
100-026-733	UTA-105BL	Black	136 mm ²	18 - 25	40 g	15 pcs	150 pcs
100-026-734	UTA-105GR	Light Grey	136 mm ²	18 - 25	40 g	15 pcs	150 pcs
100-026-735	UTA-105IV	Ivory	136 mm ²	18 - 25	40 g	15 pcs	150 pcs