

RECESSED PULL HH-P SEMI Compliance



- Rounded design allows for easy gripping and handling with gloved hand (compliant with SEMI standard, SEMI S8-0308).
- Clear body suitable for transparent door such as acrylic.
- Lead-free PVC material with excellent weather and chemical resistance.

[Applications]

- Semiconductor manufacturing equipment and liquid crystal manufacturing equipment, etc.

[Remarks]

- Supplied screws are suitable for panel thickness 1~5mm. Other than that, please prepare screws with threaded length above 10mm according to the panel thickness.

[Parts Included]

- Fixing piece
- Truss head screw M4 x 20 (HH-P118)
- Truss head screw M5 x 20 (HH-P130)

LARGE HANDLES

HANDLES (FRONT SCREW MOUNT)

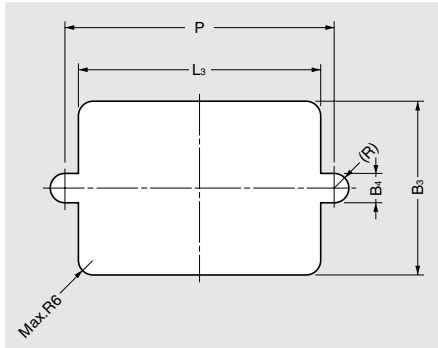
HANDLES (BACK SCREW MOUNT)

RECESSED PULLS

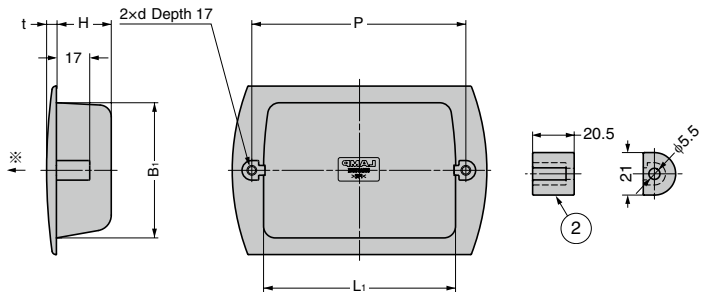
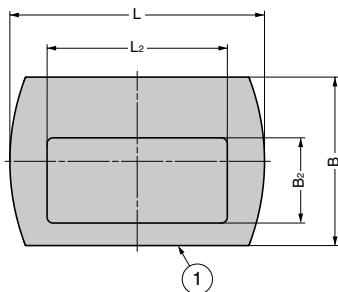
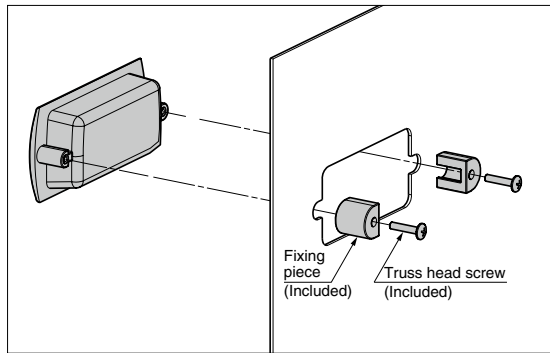
PULLS & KNOBS

LATCH HANDLES

[Cut Out Dimensions]



[Installation]



No.	Part Name	Material	Colour
①	Body	PVC	Clear
②	Fixing Piece		

RoHS	CAD	Item Code	Item Name	L	L1	L2	B	B1	B2	H	P	d	t	L3	B3	B4	Board Thickness	Load Capacity N※	Load Capacity kgf※	Weight (g)	Box (pcs)	Carton (pcs)
✔	SD	100-021-824	HH-P118	118	93	90	58	47	25.5	21.5	104	M4	4	95	48	11	1~11	312	31.8	43	45	-
✔	SD	100-013-957	HH-P130	130	98	92	86	69	43.5	28	110	M5	5	99	71	12	1~11	460	47	100	30	-

Load capacity is for the direction of ※ marked on above drawings.