

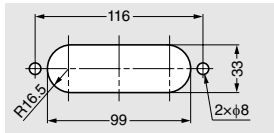
## RECESSED PULL UTZ-130



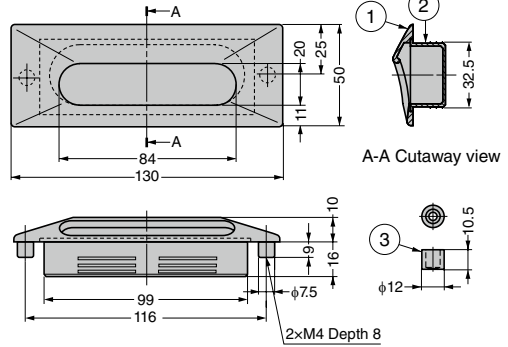
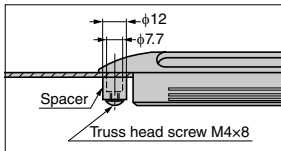
**[Parts Included]**

- Truss head screw M4 × 8
- Spacer

**[Cut Out Dimensions]**



**[Installation]**



No.	Part Name	Material	Finish/Colour
①	Body	Zinc Alloy (ZDC)	Chrome, Satin Nickel, Bronze
②	Cup	Plastic (HIPS)	Black
③	Spacer	Steel (SUM)	Coloured Zinc Chromate

R/H/S	CAD	Item Code	Item Name	Finish	Weight (g)	Box (pcs)	Carton (pcs)
	3D	100-010-225	UTZ-130WB	Satin Nickel	105	10	60
	3D	100-010-226	UTZ-130CR	Chrome		10	60
	3D	100-010-717	UTZ-130SCP	Bronze		10	60

## RECESSED PULL SD-160



**[Parts Included]**

- Truss head screw M4 × 28 (for wood)

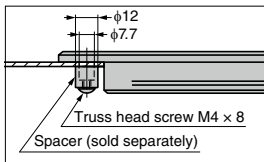
**[Sold Separately]**

- Spacer BSP-8

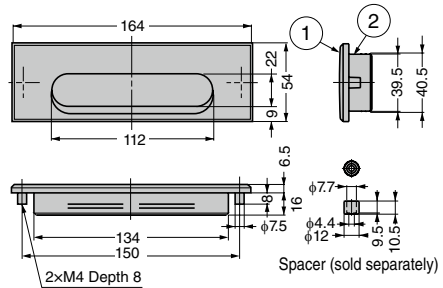
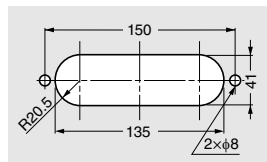
**[Recommended Screws]**

- Truss head screw M4 × 8

**[Installation]**



**[Cut Out Dimensions]**



**[Body]**

R/H/S	CAD	Item Code	Item Name	Finish	Weight (g)	Box (pcs)	Carton (pcs)
	3D	100-010-194	SD-160WB	White Bronze Plating	184	10	60
	3D	100-010-181	SD-160CR	Chrome	176	10	60

**[Spacer] Sold Separately**

R/H/S	CAD	Item Code	Item Name	Material	Finish	Weight (g)	Box (pcs)	Carton (pcs)
	3D	100-019-635	BSP-8	Steel (SUM)	Coloured Zinc Chromate	6	-	4000

No.	Part Name	Material	Finish / Colour
①	Body	Zinc Alloy (ZDC)	White Bronze Plating, Chrome
②	Cup	ABS	Black