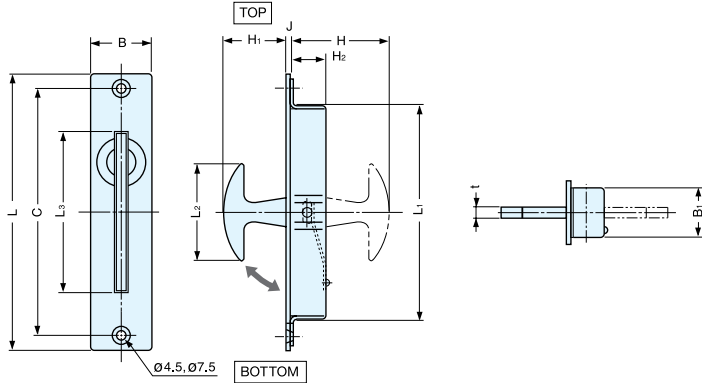
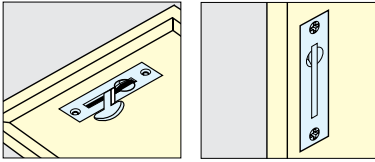


HATCH PULL



ST-90, 115

- The handle is concealed when not in use to stay out of the way.
- T-handle design
- ST-90 is RoHS compliant.



Item No.	L	L ₁	L ₂	L ₃	H	H ₁	H ₂	J	B	B ₁	t	C	Material	Finish
ST-90	90 (3-35/64")	66.2 (2-39/64")	30.2	57	35.5	23.2	10.5	2.2	22 (55/64")	18.5	3.8	80 (3-5/32")	304 Stainless Steel	Satin
ST-115	115 (4-17/32")	86.2 (3-25/64")	40.0	67	42.0	26.0	13.0	2.5	25 (63/64")	20.0	4.0	102 (4-1/64")	304 Stainless Steel	Satin

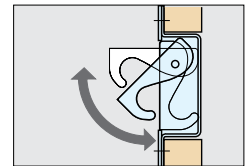
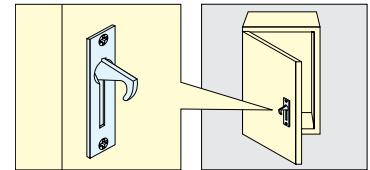
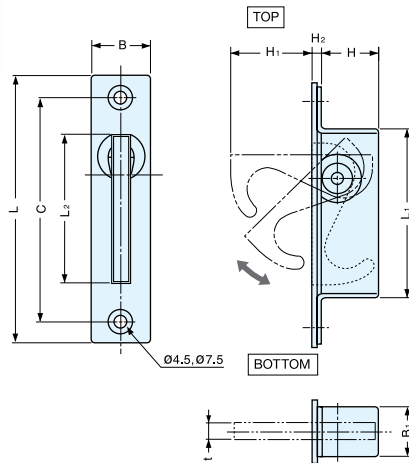
Item No.	Weight (g)	Box (pcs)	Carton (pcs)	Screw
ST-90	68	30	300	3.5 x 22
ST-115	102	20	200	3.5 x 25

HATCH PULL



ST-80, 100

- The handle is concealed when not in use to stay out of the way.
- Hook design



Item No.	L	L ₁	L ₂	H	H ₁	H ₂	B	B ₁	t	C	Material	Finish
ST-80	80 (3-9/64")	50 (1-31/32")	44	18	25	2	18 (45/64")	15	5	68 (2-43/64")	304 Stainless Steel	Satin
ST-100	100 (3-15/16")	63 (2-31/64")	54	21	32	2	20 (25/32")	15	5	85 (3-11/32")	304 Stainless Steel	Satin

Item No.	Weight (g)	Box (pcs)	Carton (pcs)	Screw
ST-80	48	30	300	3.5 x 16
ST-100	66	20	200	3.5 x 20