

Zwei L STAINLESS STEEL KNOB



ZL-1903

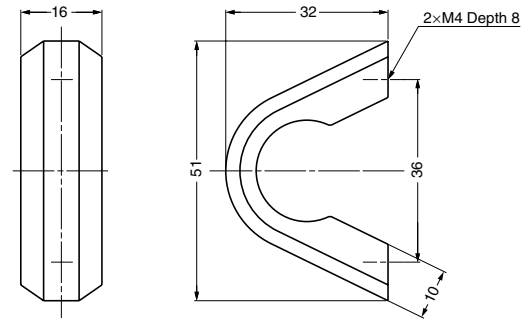


Features

- Made of highly corrosion resistant SUS316
- Ultrapremium Zwei L finish. Zwei L finish: Using top class polishing technology, these products combine the elegance of Satin with the deep glow of a Mirror.
- When combined with ZL-2302 (sold separately), can be used on glass.

Parts Included

M4x25 truss head screw (SUS)



Item Code	Item Name	Material	Finish	Weight	Box
100-011-012	ZL-1903	Stainless Steel (SUS316)	Zwei L Finish	58 g	8 pcs

Zwei L STAINLESS STEEL KNOB



ZL-1904

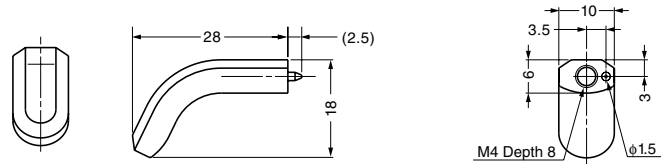


Features

- Made of highly corrosion resistant SUS316
- Ultrapremium Zwei L finish. Zwei L finish: Using top class polishing technology, these products combine the elegance of Satin with the deep glow of a Mirror.
- When combined with ZL-2302 (sold separately), can be used on glass.

Parts Included

M4x25 truss head screw (SUS)



Item Code	Item Name	Material	Finish	Weight	Box
100-011-013	ZL-1904	Stainless Steel (SUS316)	Zwei L Finish	12 g	8 pcs

HANDLES,
PULLS & KNOBS

STAINLESS STEEL KNOB