

Zwei L STAINLESS STEEL KNOB



ZL-2503

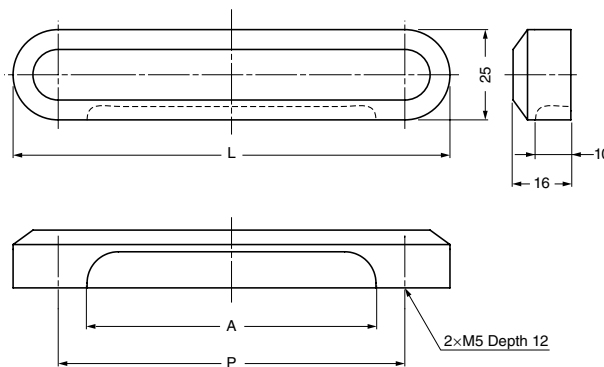


Features

- Made of highly corrosion resistant SUS316
- Ultrapremium Zwei L finish. Zwei L finish: Using top class polishing technology, these products combine the elegance of Satin with the deep glow of a Mirror.
- Also available in the same design is ZL-1505 which can be attached to glass.

Parts Included

Screw M5x28 (SUS)



Item Code	Item Name	Material	Finish	L	P	A	Weight	Box
100-010-975	ZL-2503- 96	Stainless Steel (SUS316)	Zwei L Finish	121	96	84	334 g	4 pcs
100-010-974	ZL-2503-160	Stainless Steel (SUS316)	Zwei L Finish	185	160	148	496 g	2 pcs

Zwei L STAINLESS STEEL KNOB



ZL-1910

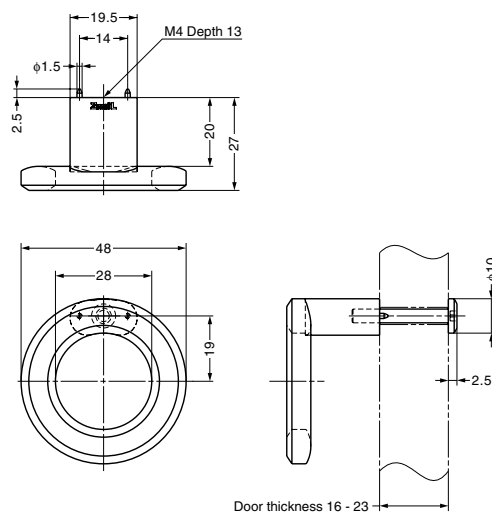


Features

- Made of highly corrosion resistant SUS316
- Ultrapremium Zwei L finish. Zwei L finish: Using top class polishing technology, these products combine the elegance of Satin with the deep glow of a Mirror.
- Built in screw-in type knob.
- Also available in the same design is ZL-1909 which can be attached to glass. ZL-2105 is a hook with the same design.

Parts Included

Truss head screw M4x28 (SUS)



Item Code	Item Name	Material	Finish	Weight	Box
100-024-596	ZL-1910	Stainless Steel (SUS316)	Zwei L Finish	85 g	1 pc

HANDLES,
PULLS & KNOBS

STAINLESS STEEL KNOB