

Zwei L STAINLESS STEEL KNOB



ZL-2503

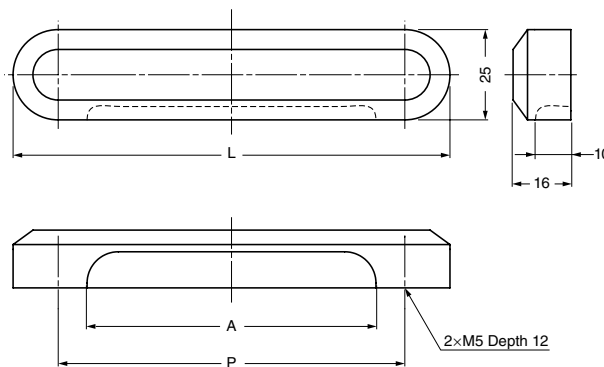


Features

- Made of highly corrosion resistant SUS316
- Ultrapremium Zwei L finish. Zwei L finish: Using top class polishing technology, these products combine the elegance of Satin with the deep glow of a Mirror.
- Also available in the same design is ZL-1505 which can be attached to glass.

Parts Included

Screw M5x28 (SUS)



| Item Code | Item Name | Material | Finish | L | P | A | Weight | Box |
|-------------|-------------|--------------------------|---------------|-----|-----|-----|--------|-------|
| 100-010-975 | ZL-2503- 96 | Stainless Steel (SUS316) | Zwei L Finish | 121 | 96 | 84 | 334 g | 4 pcs |
| 100-010-974 | ZL-2503-160 | Stainless Steel (SUS316) | Zwei L Finish | 185 | 160 | 148 | 496 g | 2 pcs |

Zwei L STAINLESS STEEL KNOB



ZL-1910

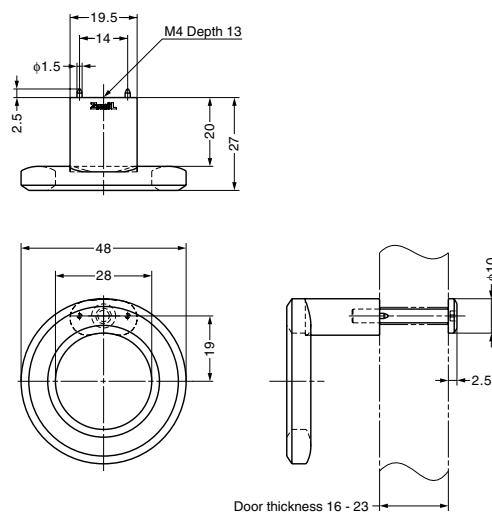


Features

- Made of highly corrosion resistant SUS316
- Ultrapremium Zwei L finish. Zwei L finish: Using top class polishing technology, these products combine the elegance of Satin with the deep glow of a Mirror.
- Built in screw-in type knob.
- Also available in the same design is ZL-1909 which can be attached to glass. ZL-2105 is a hook with the same design.

Parts Included

Truss head screw M4x28 (SUS)



| Item Code | Item Name | Material | Finish | Weight | Box |
|-------------|-----------|--------------------------|---------------|--------|------|
| 100-024-596 | ZL-1910 | Stainless Steel (SUS316) | Zwei L Finish | 85 g | 1 pc |

HANDLES,
PULLS & KNOBS

STAINLESS STEEL KNOB