

## Zwei L STAINLESS STEEL KNOB



## ZL-1906

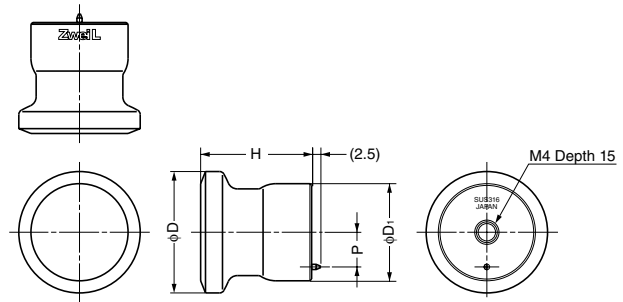


### Features

- Made of highly corrosion resistant SUS316
- Ultrapremium Zwei L finish. Zwei L finish: Using top class polishing technology, these products combine the elegance of Satin with the deep glow of a Mirror.
- Can be used on either wood or tempered glass.
- ZL-1503 is a door knob with the same type of design.

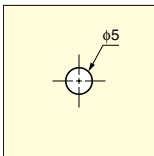
### Parts Included

- For wooden doors : 16 - 23 mm : Screw M4x28 (SUS)
- For glass doors : 4, 5, 6 mm : Screw M4x16 (SUS)
- Gasket

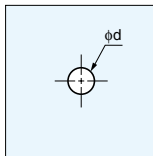


### Cut Out Dimensions

#### Wooden doors



#### Glass doors



Thickness 4, 5 : d=5  
Thickness 6 : d=6

Item Code	Item Name	Material	Finish	H	D	D <sub>1</sub>	P	Weight
100-011-019	ZL-1906-20	Stainless Steel (SUS316)	Zwei L Finish	20	20	16	5	32 g
100-011-018	ZL-1906-28	Stainless Steel (SUS316)	Zwei L Finish	26	28	22.5	8	83 g
100-011-017	ZL-1906-36	Stainless Steel (SUS316)	Zwei L Finish	32	36	28	10	165 g

## DUAL-SIDED KNOB FOR GLASS



## GT-40CR

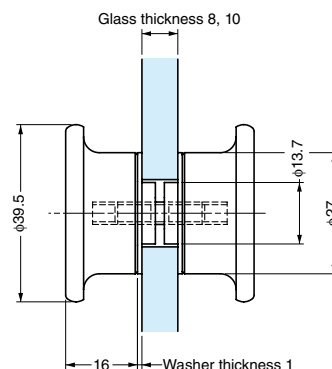


### Features

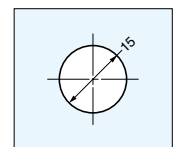
- Glass knob recommended for use in places like showers and bathrooms.

### Parts Included

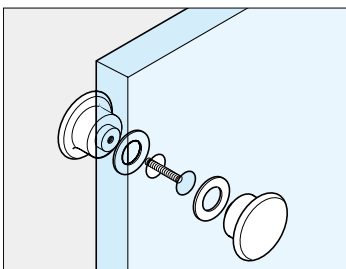
- PVC washers
- Screw M5 (SUS)



### Cut Out Dimension



### Installation



Item Code	Item Name	Material	Finish	Glass Thickness	Weight	Box	Carton
100-019-767	GT-40CR	Brass	Chrome	8, 10	215 g	6 pcs	48 pcs