

LATCH W/ INDICATOR With Door Stopper



ET-70DN



Features

- Overlapped door application.

Remarks

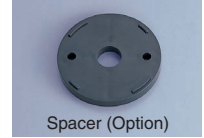
Please use a spacer according to the door thickness.

Parts Included

- Hex key
- Door stopper

Option

Spacer: ET-3, ET-7



Screw and Spacer Recommended

Door Thickness	Inward opening						Outward opening					
	13	16	20	13	16	20	13	16	20	13	16	20
Side board thickness	13	16	20	13	16	20	13	16	20	13	16	20
Hexagon top bolt (2pcs)	M5x 45	M5x 45	M5x 50	M5x 45	M5x 50	M5x 55	M5x 45	M5x 45	M5x 50	M5x 45	M5x 50	M5x 55
ET-7 spacer	0	0	0	0	0	0	0	0	1	0	0	1
ET-3 spacer	0	0	0	1	1	1	0	1	0	0	1	0
Hexagon socket button head screw	M4x 10	M4x 10	M4x 10	M4x 10	M4x 10	M4x 10	M4x 10	M4x 10	M4x 16	M4x 10	M4x 10	M4x 16

*When using with the door stopper, please use with M4 washer as well.
Please contact us for other information.

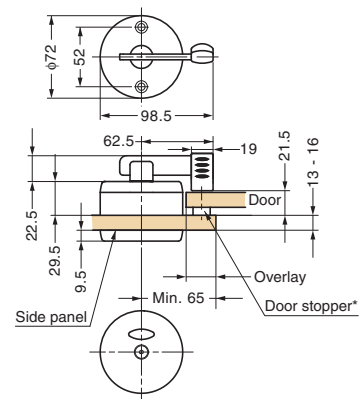
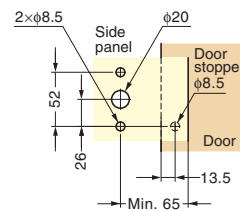
Body

Item Code	Item Name	Door/Panel Thickness	Material	Finish	Weight	Box	Carton
140-180-546	ET-70DN	Door : 13, 16 Side Panel: 13, 16, 20	Stainless Steel (SUS304)	Satin	371 g	1 pc	50 pcs

Spacer (Sold Separately)

Item Code	Item Name	Material	Colour	Thickness	Weight	Box	Carton
140-180-975	ET-3	ABS	Black	3	14 g	25 pcs	750 pcs
140-172-566	ET-7	ABS	Black	7	18 g	15 pcs	750 pcs

Cut Out Dimensions



*Installation position:

- Inward opening : Door
- Outward opening : Side Board

LATCH W/ INDICATOR



ET-125T



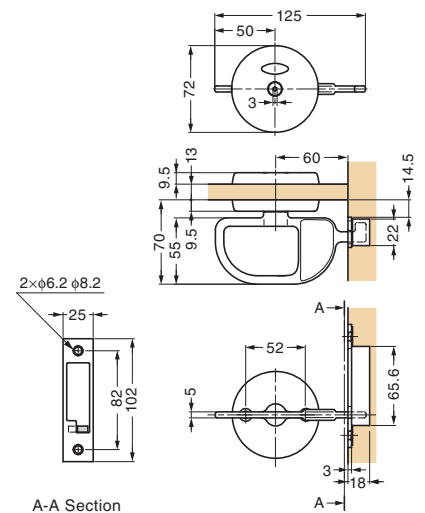
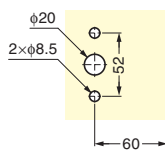
Features

- For sliding door applications.
- Large handle for easy operation.

Parts Included

- Hex key

Cut Out Dimensions



Item Code	Item Name	Door Thickness	Material	Finish	Weight	Box	Carton
140-188-843	ET-125T	13	Stainless Steel (SUS304)	Satin	442 g	1 pc	27 pcs