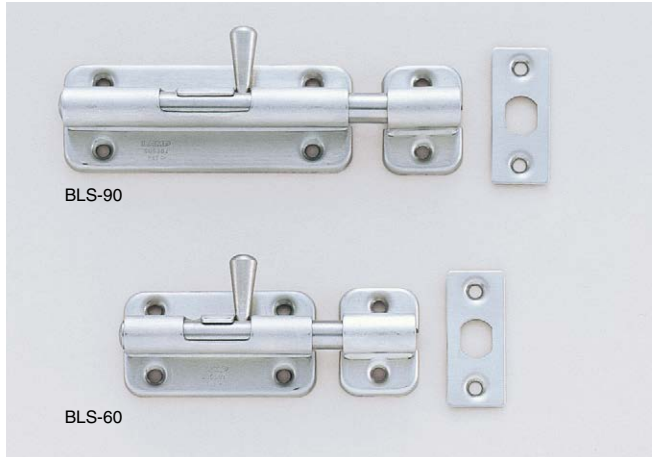


SPRING LOADED BARREL BOLT

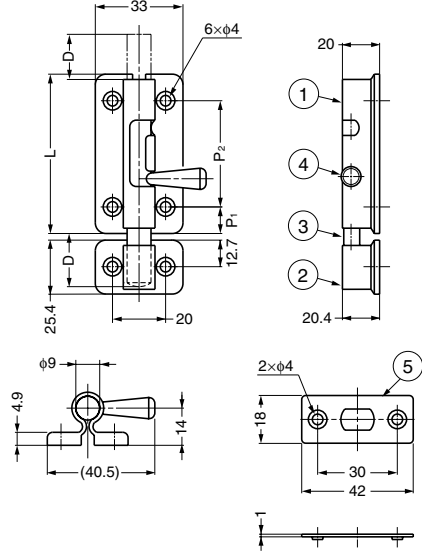


Features

- Ideal for harsh and high corrosion environments.
- Knob springs back into sleeve to keep bolt in locked or unlocked position.
- Can be installed vertically or horizontally.
- 2 counter plates included for different mountings.

Parts Included

Countersunk head wood screw 3.5x20 (SUS)



No.	Part Name	Material	Finish
①	Body	Stainless Steel (SUS304)	Satin
②	Strike	Stainless Steel (SUS304)	Satin
③	Bar	Stainless Steel (SUS303)	-
④	Knob	Stainless Steel (SUS303)	-
⑤	Counter Plate	Stainless Steel (SUS304)	Satin

Item Code	Item Name	L	P ₁	P ₂	D	Weight	Box	Carton
140-052-000	BLS-60	60	10	40	17	109 g	20 pcs	200 pcs
140-052-001	BLS-90	90	12.5	65	24	147 g	15 pcs	150 pcs

BARREL BOLT

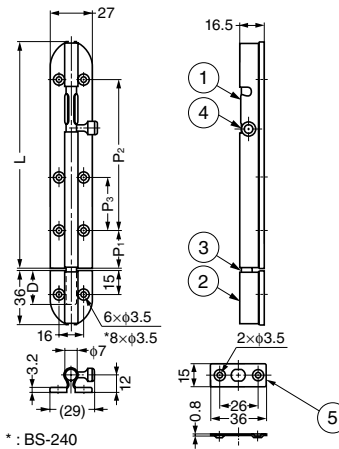


Features

- Ideal for harsh and high corrosion environments.
- Can be installed vertically or horizontally.
- 2 counter plates included for different mountings.

Parts Included

Countersunk head wood screw 3.1x16 (SUS)



No.	Part Name	Material	Finish
①	Body	Stainless Steel (SUS304)	Satin
②	Strike	Stainless Steel (SUS304)	Satin
③	Bar	Brass	Nickel
④	Knob	Brass	Nickel
⑤	Counter Plate	Stainless Steel (SUS304)	Satin

Item Code	Item Name	L	P ₁	P ₂	P ₃	D	Weight	Box	Carton
140-051-050	BS- 90	90	14.5	58	-	24	85 g	30 pcs	300 pcs
140-051-051	BS-150	150	25	100	-	24	125 g	20 pcs	200 pcs
140-051-052	BS-240	240	18.5	192	71	30	190 g	10 pcs	100 pcs