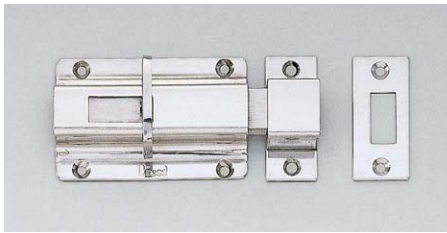


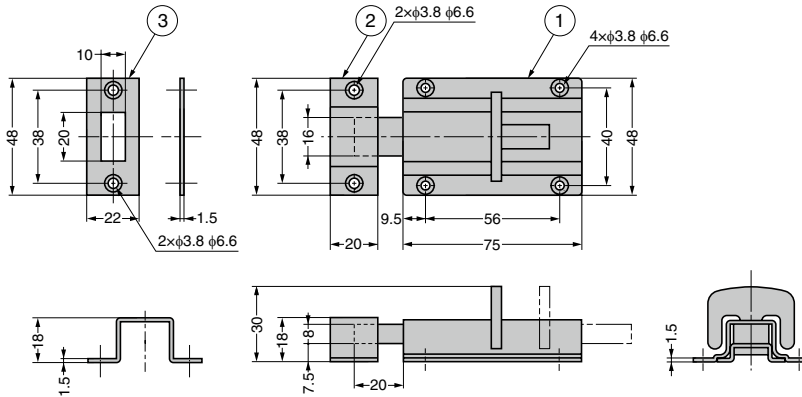
SLIDE BOLT KR75



- Two different counter plates included for different mountings.

[Parts Included]

- Countersunk head wood screw 3.1 × 20 (SUS304)



No.	Part Name	Material	Finish
①	Body	Stainless Steel	Satin
②	Counter Plate A		
③	Counter Plate B		

RoHS	CAD	Item Code	Item Name	Weight (g)	Box (pcs)	Carton (pcs)
		140-059-042	KR75	225	10	100

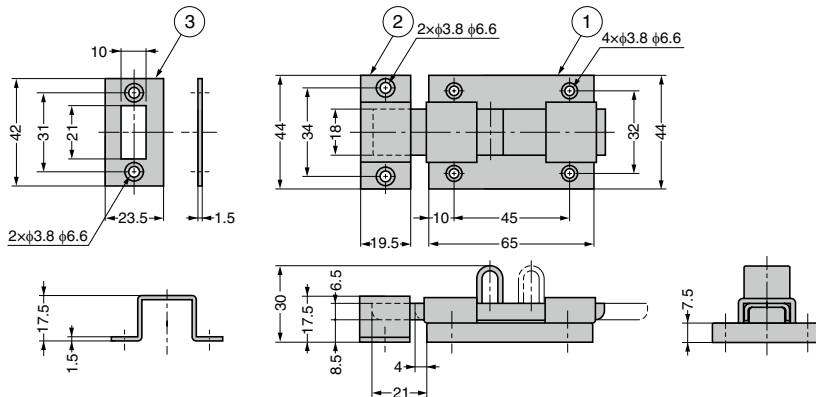
SLIDE BOLT KR65



- Two different counter plates included for different mountings.

[Parts Included]

- Countersunk head wood screw 3.1 × 20 (SUS304)



No.	Part Name	Material	Finish
①	Body	Stainless Steel	Barrel Polished
②	Counter Plate A		
③	Counter Plate B		

RoHS	CAD	Item Code	Item Name	Weight (g)	Box (pcs)	Carton (pcs)
		140-054-050	KR65	125	10	100