

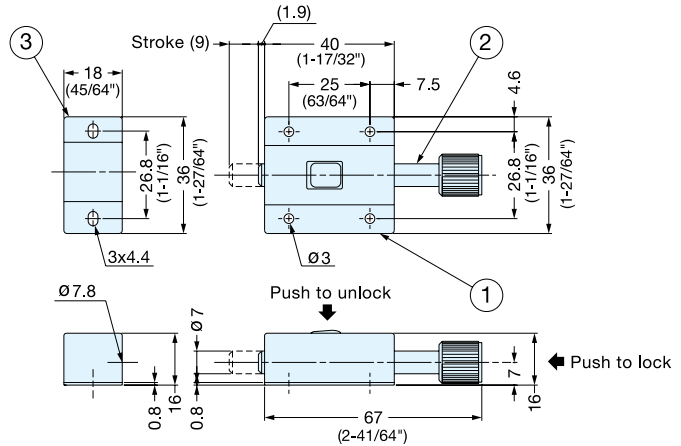
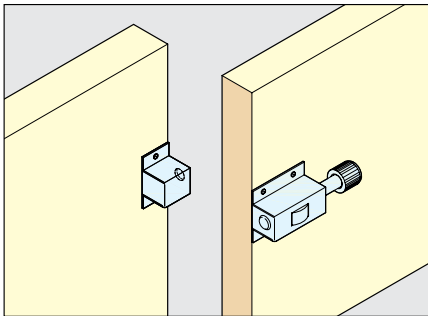
# PUSH BARREL BOLT



## PRS-40



- Simply push knob to latch and push button to release.



Item No.	Weight (g)	Box (pcs)	Carton (pcs)
PRS-40	55	20	240

No.	Part Name	Material	Finish
①	Body	304 Stainless Steel	Satin
②	Bolt	303 Stainless Steel	
③	Counterplate	304 Stainless Steel	

# LEVER BOLT



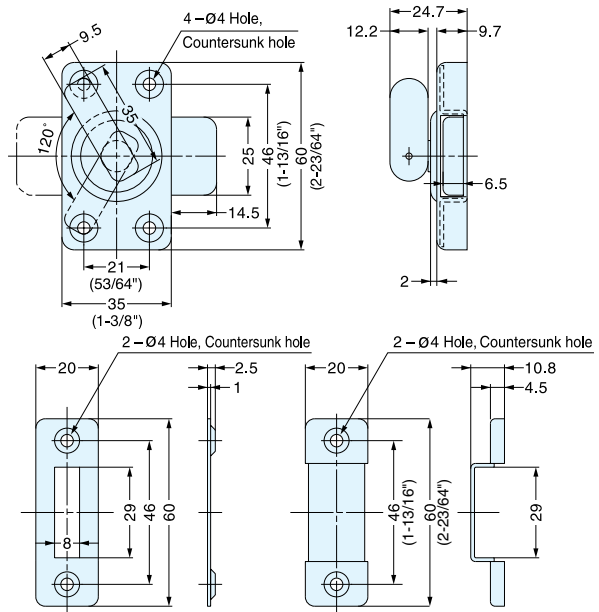
## HR-35



- Large knob allows for easy operation.
- 2 different counterplates included for different mountings.



HR35SP-B  
(2mm Spacer: Sold separately)



Item No.	Weight (g)	Box (pcs)	Carton (pcs)
HR-35	108	10	100

Material	Finish
304 Stainless Steel	Satin