

# NON-MAGNETIC TOUCH LATCH



## MLC-100



### Features

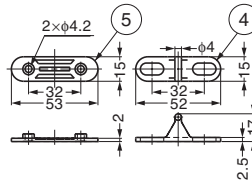
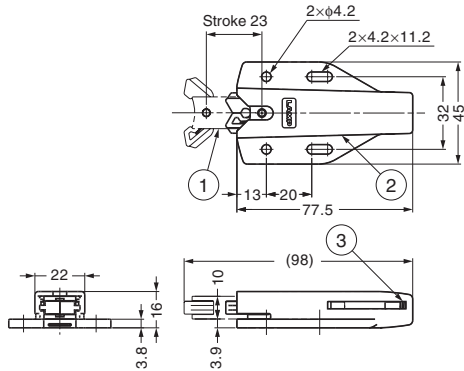
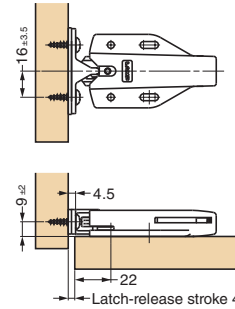
- Push latch with long stroke
- One push open/close operation removes the need for handles and pulls.
- Non-magnetic type
- Floating strike can automatically adjust position ±2mm vertically and ±3.5mm horizontally to fit into counter plate.
- Using the distance plate (sold separately), the installation position of the body can be adjusted
- Also available is the heat resistant type MLC-HT130BL with a 40mm stroke

### Parts Included

Truss head tapping screw 4x16 (SUS)

### Recommended Screw

M4 pan or truss head screw



No.	Part Name	Material	Finish/Colour
①	Body1	Polyamide(PA)	White,Black
②	Body2	PBT	White,Black
③	Spring	Steel	Yellow Zinc Chromate
④	Counter Plate	Polyacetal (POM)	White,Black
⑤	Counter Plate	PBT	White,Black

Item Code	Item Name	Retaining Force N	Retaining Force kgf	Push Force N	Push Force kgf	Weight	Box	Carton
140-028-540	MLC-100WT	90 N	9.2 kgf	14 N	1.4 kgf	32 g	20 pcs	240 pcs
140-033-090	MLC-100BL	90 N	9.2 kgf	14 N	1.4 kgf	32 g	20 pcs	240 pcs

# NON-MAGNETIC TOUCH LATCH



## MLC-HT130BL



### Features

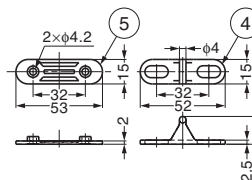
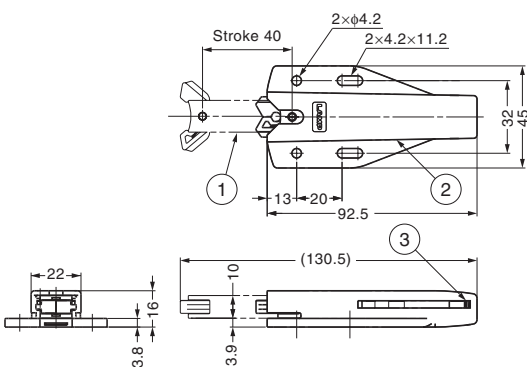
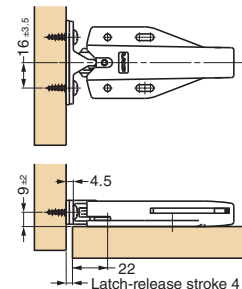
- Heat resistant up to (120°).
- Push latch with long stroke
- One push open/close operation removes the need for handles and pulls.
- Non-magnetic type
- Push in with fingers to shut flap firmly. To open, push on closed flap.
- Floating strike can automatically adjust position ±2mm vertically and ±3.5mm horizontally to fit into counter plate.
- Also available is the non-heat resistant type MLC-100.

### Parts Included

Truss head tapping screw 4x16 (SUS)

### Recommended Screw

M4 pan or truss head screw



No.	Part Name	Material	Finish/Colour
①	Body1	Polyamide (PA)	Black
②	Body2	PBT	Black
③	Spring	Stainless Steel (SUS304)	Plain
④	Counter Plate	Polyamide (PA)	Black
⑤	Counter Plate	PBT	Black

Item Code	Item Name	Retaining Force N	Retaining Force kgf	Push Force N	Push Force kgf	Weight	Box	Carton
140-028-539	MLC-HT130BL	*117.6 N	*12 kgf	16.7 N	1.7 kgf	40 g	20 pcs	240 pcs

\*Retaining force reduces with temperature and reaches 3 kgf (29.4 N) at 120°C.

