

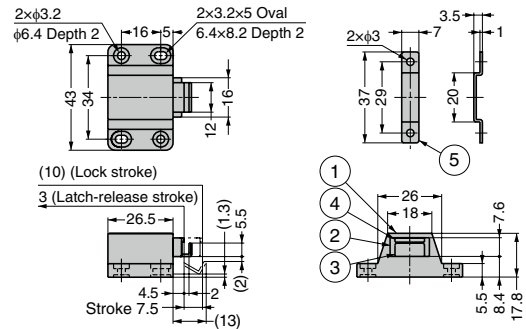
NON-MAGNETIC TOUCH LATCH PR-21P



- No handle needed, just push to open/close.
- Lightly push to open the door. When closing, arm will catch the counter plate and hold the door by lightly pushing, too.

[Parts Included]

- Counter plate



No.	Part Name	Material	Finish / Colour
①	Body	ABS	Black, Brown
②	Slide	POM	
③	Arm	Steel (SPCC)	Paint/Brown
④	Yoke		GB
⑤	Counter Plate		Chrome

RoHS	CAD	Item Code	Item Name	Colour	Weight (g)	Box (pcs)	Carton (pcs)
CE	3D	140-050-277	PR-21PK	Black	16.3	100	800
CE	3D	140-050-272	PR-21PD	Brown		100	800

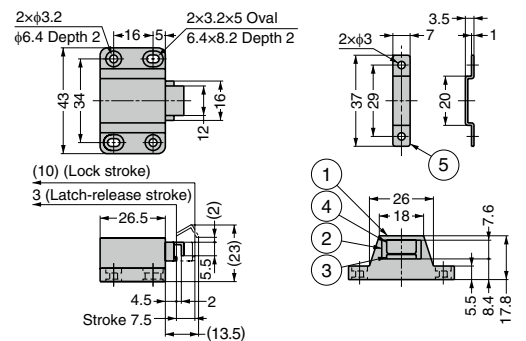
NON-MAGNETIC TOUCH LATCH PR-20P



- No handle needed, just push to open/close.
- Lightly push to open the door. When closing, arm will catch the counter plate and hold the door by lightly pushing, too.

[Parts Included]

- Counter plate



No.	Part Name	Material	Finish / Colour
①	Body	ABS	Black, Brown
②	Slide	POM	
③	Arm	Steel (SPCC)	Paint/Brown
④	Yoke		GB
⑤	Counter Plate		Chrome

RoHS	CAD	Item Code	Item Name	Colour	Weight (g)	Box (pcs)	Carton (pcs)
CE	3D	140-050-276	PR-20PK	Black	16.3	100	800
CE	3D	140-050-274	PR-20PD	Brown		100	800