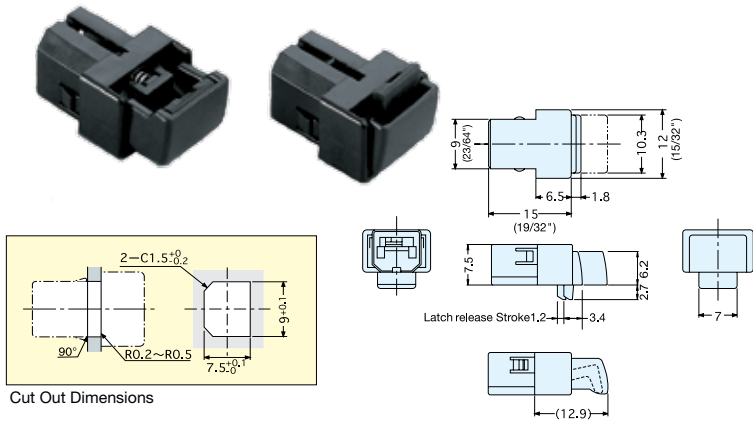


NON-MAGNETIC MINI TOUCH LATCH

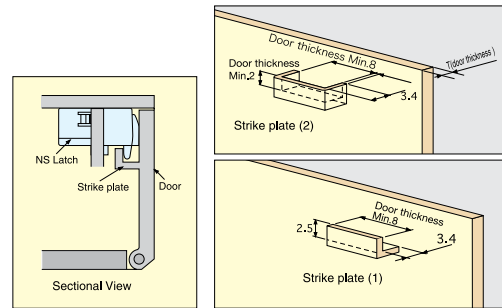


NS-2



Cut Out Dimensions

- Push to latch/unlatch.
- Miniature design is ideal for small applications.
- Strike/counterplate not available

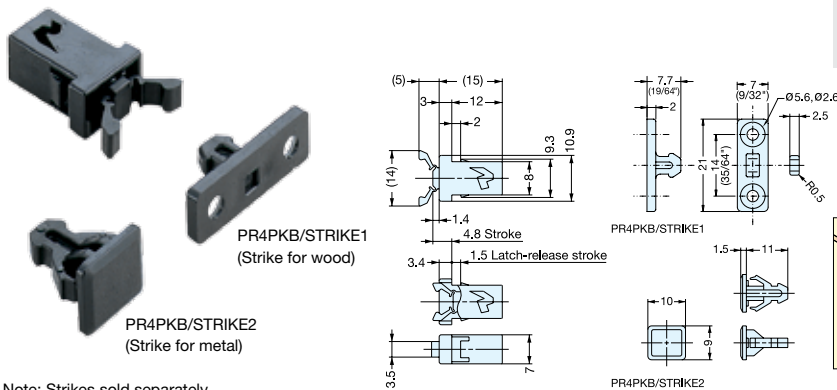


Item No.	Retaining Force (kg)	Weight (g)	Box (pcs)	Carton (pcs)	Material	Color
NS-2	1 (2.2 lbs)	1.1	500	5000	ABS	Black

NON-MAGNETIC MINI TOUCH LATCH

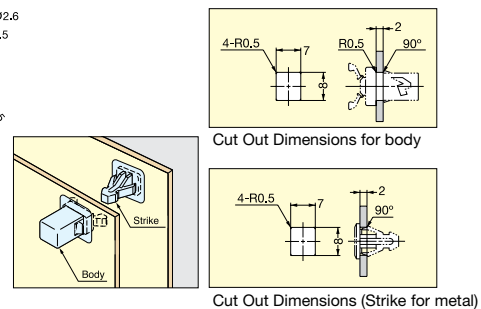


PR-4PK



Note: Strikes sold separately.

- Push to latch/unlatch.
- Miniature design is ideal for small applications.

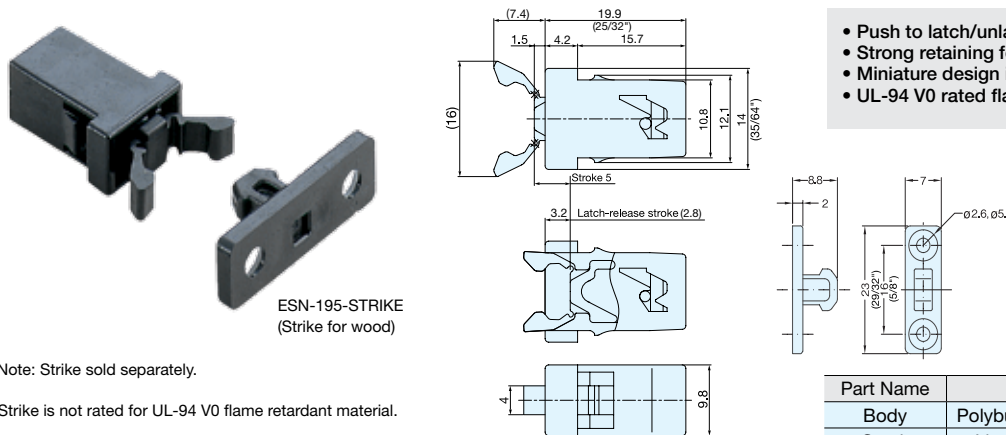


Item No.	Holding Force(kg)	Weight (g)	Box (pcs)	Carton (pcs)	Part Name	Material	Color
PR-4PK	1.2 (2.6 lbs)	0.7	1000	8000	Body	Polyacetal	Black
					Strike	Polyamide	

NON-MAGNETIC MINI TOUCH LATCH



ESN-195-3.1



Note: Strike sold separately.

Strike is not rated for UL-94 V0 flame retardant material.

- Push to latch/unlatch.
- Strong retaining force.
- Miniature design is ideal for small applications.
- UL-94 V0 rated flame retardant material.

Cut Out Dimensions

Item No.	Retaining Force (kg)	Weight (g)	Box (pcs)	Part Name	Material	Finish/Color
ESN-195-3.1	3.5 (7.7 lbs)	2.3	5000	Body	Polybutylene Terephthalate	Black
				Catch	Liquid Crystal Polymer	
				Spring	Steel	Chromate
				Slide Catch	Polyamide	Black