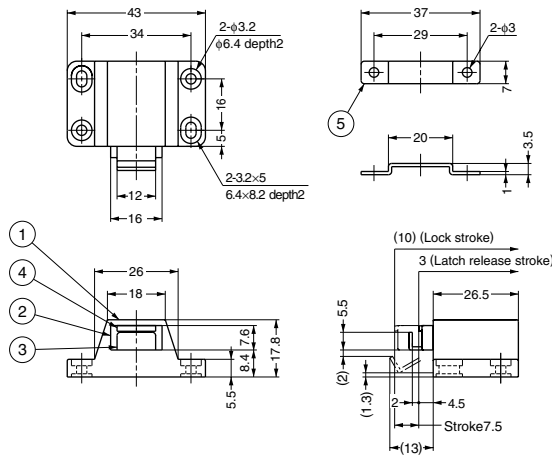


NON-MAGNETIC TOUCH LATCH

PR-21P



Features

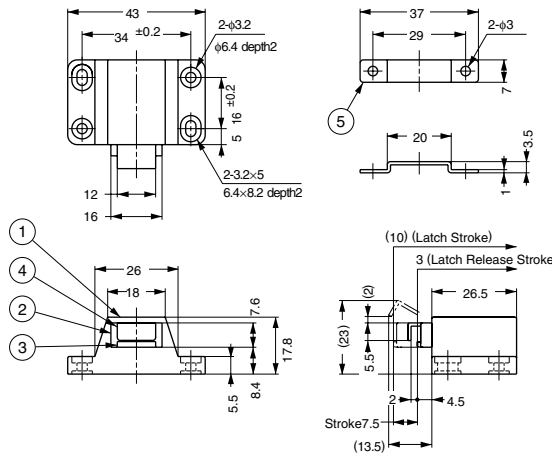
One push open/close operation removes the need for handles and pulls.

No.	Part Name	Material	Finish/Colour
①	Body	ABS	Black, Brown
②	Slide	Polyacetal	Black, Brown
③	Arm	Steel	Paint/Brown
④	Yoke	Steel	GB
⑤	Counter Plate	Steel	Chrome

Item Code	Item Name	Colour	Weight	Box	Carton
140-050-277	PR-21PK	Black	16.3 g	100 pcs	800 pcs
140-050-272	PR-21PD	Brown	16.3 g	100 pcs	800 pcs

NON-MAGNETIC TOUCH LATCH

PR-20P



Features

One push open/close operation removes the need for handles and pulls.

No.	Part Name	Material	Finish/Colour
①	Body	ABS Plastic	Black, Brown
②	Slide	Polyacetal	Black, Brown
③	Arm	Steel	Paint/Brown
④	Yoke	Steel	Bronze
⑤	Counter Plate	Steel	Chrome

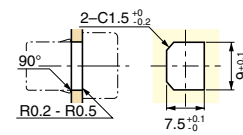
Item Code	Item Name	Colour	Weight	Box	Carton
140-050-276	PR-20PK	Black	16.3 g	100 pcs	800 pcs
140-050-274	PR-20PD	Brown	16.3 g	100 pcs	800 pcs

NON-MAGNETIC MINI TOUCH LATCH

NS2



Cut Out Dimensions

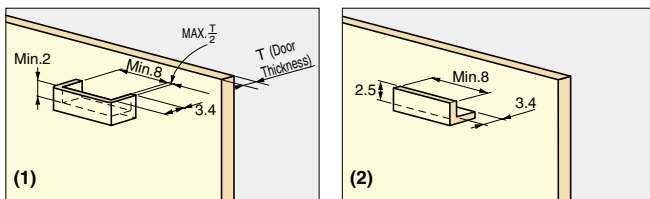


Features

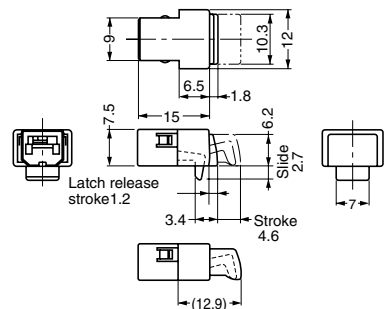
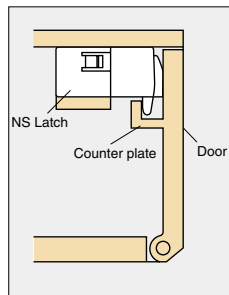
- One push open/close operation removes the need for handles and pulls.
- Easy snap-in installation.
- Great solution for smaller flap doors due to its small profile.

Remarks

Counter plate not included.



Recommended counter plate dimension.



Item Code	Item Name	Material	Door Thickness	Colour	Weight	Box
140-059-098	NS2	Polycarbonate	2	Black	1.1 g	500 pcs