

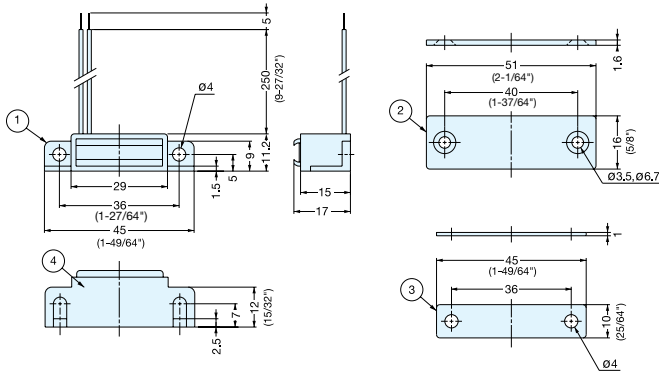
MAGNETIC CATCH (W/SWITCH)



SMC



- Reed switch built-into magnetic catch allows long-term, trouble free service.
- Designed to detect when a door is closed or open.
- Use provided counter plate when stationary part is non-magnetic material. (aluminum, wood, glass etc.).
- SMC-103A. When the plate is in contact with the catch - the circuit is open. When the plate is removed from catch - the circuit is closed.
- SMC-101/103B. When the plate is in contact with the catch - the circuit is closed. When the plate is removed from the catch - the circuit is opened.
- Special design provides screw mounting options in 2 different orientations.



Item No.	Type	Magnetic Force (kg)	Weight (g)	Box (pcs)	Carton (pcs)
SMC-101B	B	1 (2.2 lbs)	28	50	200
SMC-103A	A	3 (6.6 lbs)			
SMC-103B	B				

Max. Wattage	10 W
Max. Load Rating	0.5 A DC
Max. Input Voltage	100V DC
Max. Electric Resistance	0.15Ω
Operating Temperature	0 ~ 60°C (32~140°F)
Wire	UL1007 AWG#26
Tensile Strength (Lead wire)	Max. 1kg (2.2 lbs)

No.	Part Name	Material	Finish/Color
①	Housing	Polycarbonate	Black
②	Counterplate	Steel	Nickel
③	Backplate		
④	Magnet	Ferrite	-

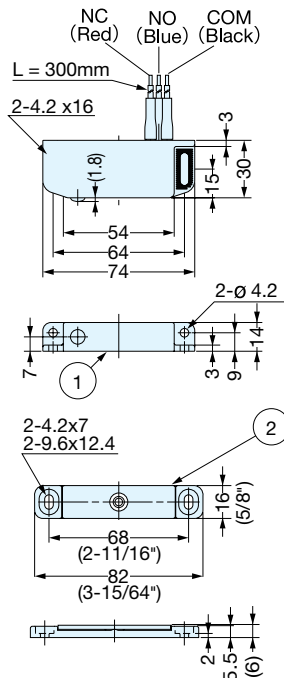
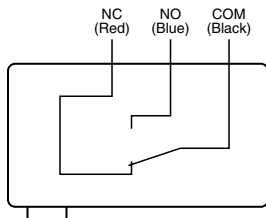
SEALED MAGNETIC CATCH (W/SWITCH)



MC-JM74SW-30



- Reed switch built-into magnetic catch allows longterm, trouble free service.
- Designed to detect when a door is closed or open.
- IP67 Water-proof.
- PSE Standard.
- Special design provides screw mounting options in 2 different orientations.



No.	Part Name	Material	Finish/Color
①	Housing	Polycarbonate	Black
②	Counterplate	SUS/Polycetal	Plain/Black
③	Magnet	Ferrite	-

Rated Voltage	AC250V5A
	AC125V5A
	DC30V5A
Insulation Resistance	MIN. 100MΩ (DC500V)
Contact Resistance	MAX. 100MΩ
Contact Rating	DC5V 16mA
Operating Temperature	-40°C~80°C, Max60%RH

Item No.	Magnetic Force (kg)	Weight (g)	Box (pcs)	Carton (pcs)
MC-JM74SW-30	3 (6.6 lbs)	80	10	80