

SEALED MAGNETIC CATCH

MC-JM45



Features

- Resin sealing the magnet prevents rusting.
- Thin magnetic catch ideal for tight space.
- Strong magnetic force.
- Ideal for kitchen equipment by using with the counter plate MC-JMP45 (P.272)

Remarks

Max. temperature: 80°C

Recommended Screw

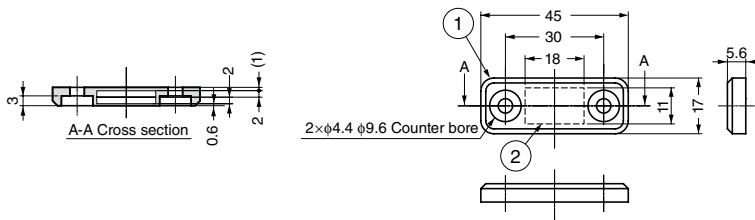
Nominal 4 tapping screw or M4 screw

Sold Separately

Counter plate MC-JMP45, MC-JM49, AS-68 (P.273)

MC-JM45WT

MC-JM45BL



Counter Plate (Sold Separately)

Item Code	Item Name	Page
140-050-122	MC-JMP45WT	P.272
140-029-241	MC-JMP45BL	P.272
140-050-149	MC-JM49	P.273
140-050-138	AS-68	P.273

No.	Part Name	Material	Colour
①	Body	Polypropylene (PP)	White, Black
②	Magnet	Neodymium	-

Body

Item Code	Item Name	Magnetic Force N	Magnetic Force kgf	Weight	Box	Carton
140-050-154	MC-JM45WT	29.4 N	3 kgf	8.5 g	100 pcs	1000 pcs
140-029-240	MC-JM45BL	29.4 N	3 kgf	8.5 g	100 pcs	1000 pcs

SEALED MAGNETIC CATCH

MC-JMS45WT



Features

- Magnet has resin cover, giving it high rust resistance and prevents dust intrusion.
- Great solution for areas that may be exposed to water on a regular basis like kitchens and showers.
- Magnetic face can pivot to allow for better contact with counter plate.
- When using in applications that will come into contact with water, please use with the sealed magnetic catch MC-JMP45 (sold separately).

Remarks

Max. temperature: 80°C

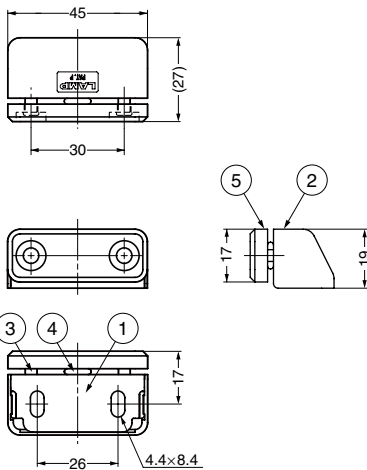
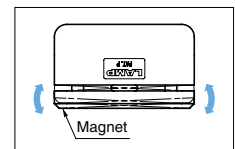
Sold Separately

Counter plate MC-JMP45 (P.272), AS-68, MC-JM49 (P.273)

Recommended Screw

M4 screw, tapping screw nominal 4

Movement of Magnet



Body

Item Code	Item Name	Magnetic Force	Weight	Box	Carton
140-024-597	MC-JMS45WT	29.4 N	3 kgf	26 g	24 pcs / 240 pcs

No.	Part Name	Material	Finish/Colour
①	Body (Thickness t=1.5)	Stainless Steel (SUS304)	Mirror
②	Cover	Polypropylene (PP)	White
③	Shaft	Stainless Steel (SUS303)	Plain
④	Ring	Rubber (FKM)	Black
⑤	Magnet (MC-JM45WT/above)	Polypropylene (PP) / Neodymium	White

Counter Plate (Sold Separately)

Item Code	Item Name	Page
140-050-122	MC-JMP45WT	P.272
140-029-241	MC-JMP45BL	P.272
140-050-138	AS-68	P.273
140-050-149	MC-JM49	P.273