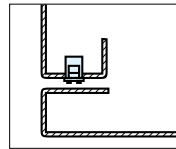
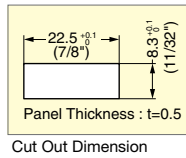
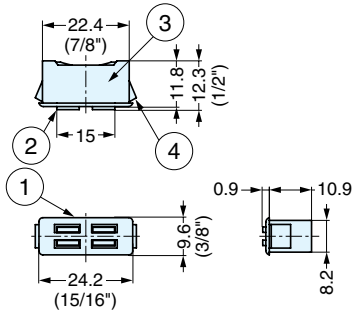
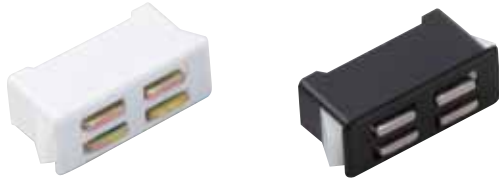


MAGNETIC CATCH (SNAP-IN TYPE)



MC-FS3

- Snap-in magnetic catch for sheet metal applications.
- Compact size



Item No.	Magnetic Force (kg)	Weight (g)	Box (pcs)	Carton (pcs)
MC-FS3W	1.3 (2.9 lbs)	5	60	2160
MC-FS3B				

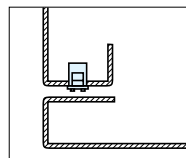
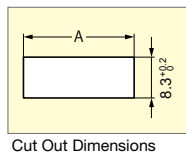
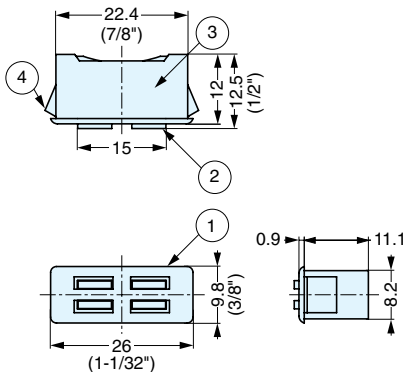
No.	Part Name	Material	Finish/Color
①	Body	ABS	Black/White
②	Yoke	Steel	Yellow Zinc Chromate
③	Magnet	Ferrite	Plain
④	Spring	Polyamide	

MAGNETIC CATCH (SNAP-IN TYPE)



MC-FS34

- Snap-in magnetic catch for sheet metal applications.
- Compact size



Item No.	Panel Thickness	A
MC-FS34WW/GW	0.5	22.6 +0.2, 0
	0.8	23.7 +0.2, 0
MC-FS34WB/BB/GB	1.0	22.7 ±0.1
	1.2	23.5 ±0.1
	1.4	24.0 ±0.1
MC-FS34WG/GG	1.6	22.7 ±0.1
	2.0	23.8 ±0.1

No.	Part Name	Material	Finish/Color
①	Body	Polyamide	Gray/Black/White
②	Yoke	Steel	Yellow Zinc Chromate
③	Magnet	Ferrite	-
④	Spring	Polyacetal	Blue/Green/White

Item No.	Body Color	Spring Color	Magnetic Force (kg)	Weight (g)	Box (pcs)	Carton (pcs)
MC-FS34WW	White	White	1.3 (2.9 lbs)	5.3	200	2000
MC-FS34GW	Grey		2.2 (4.8 lbs)			
MC-FS34WB	White	Blue	1.3 (2.9 lbs)			
MC-FS34BB	Black		2.2 (4.8 lbs)			
MC-FS34GB	Grey		2.2 (4.8 lbs)			
MC-FS34WG	White	Green	1.3 (2.9 lbs)			
MC-FS34GG	Grey		2.2 (4.8 lbs)			