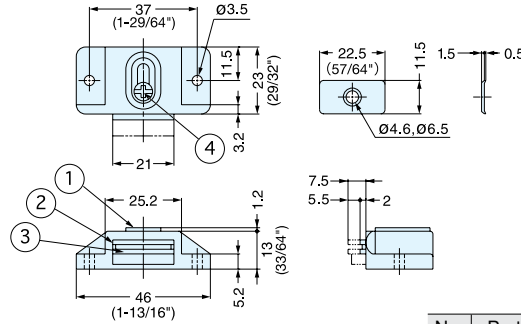


MAGNETIC CATCH



MC-84

• Adjustable magnet position (5.5mm)



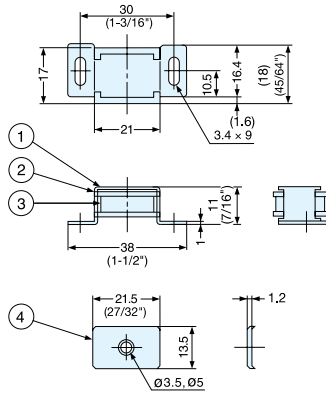
Item No.	Magnetic Force (kg)	Weight (g)	Box (pcs)	Carton (pcs)
MC-84/IVY	3 (6.6 lbs)	18	100	1000
MC-84/BLK				

No.	Part Name	Material	Finish/Color
①	Housing	ABS	Black (BLK)/Ivory (IVY)
②	Yoke	Steel	Bronze/Nickel
③	Magnet	Ferrite	-
④	Screw	Steel	Bronze/Nickel

MAGNETIC CATCH



SUPER-78



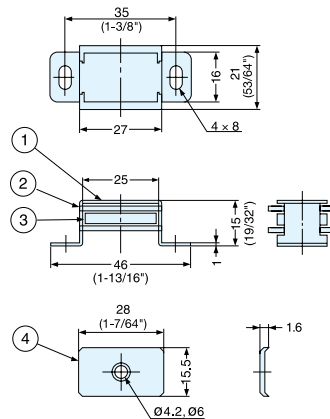
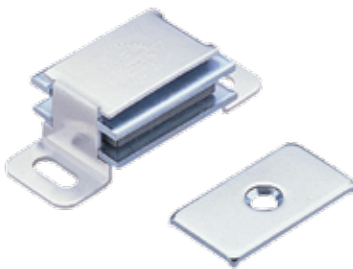
Item No.	Magnetic Force (kg)	Weight (g)	Box (pcs)	Carton (pcs)
SUPER-78	0.8 (1.7 lbs)	17	36	720

No.	Part Name	Material	Finish/Color
①	Housing	Aluminum	Brown Baked Lacquered
②	Yoke	Steel	Chromate
③	Magnet	Ferrite	-
④	Counterplate	Steel	Chromate

MAGNETIC CATCH



SUPER-88



Item No.	Magnetic Force (kg)	Weight (g)	Box (pcs)	Carton (pcs)
SUPER-88	1.5 (3.3 lbs)	28.5	24	720

No.	Part Name	Material	Finish/Color
①	Housing	Aluminum	Anodized
②	Yoke	Steel	Chromate
③	Magnet	Ferrite	-
④	Counterplate	Steel	Chromate