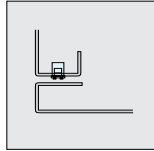


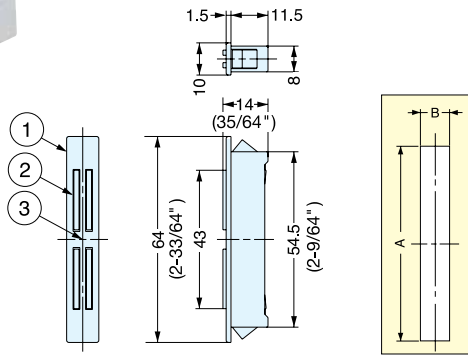
# MAGNETIC CATCH (SNAP-IN TYPE)



FS-17



Installation



Cut Out Dimensions

- Snap-in magnetic catch for sheet metal applications.

No.	Part Name	Material	Finish/Color
①	Housing	ABS	White
②	Yoke	Steel	Yellow Zinc Chromate
③	Magnet	Ferrite	-

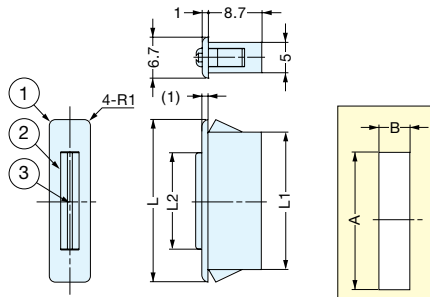
Panel Thickness	Cut Out Dimensions	
	A	B
0.8	55.0 ( 2-5/32" )	8.2 ( 21/64" )
1.0		
1.2		
1.6		
2.0	56.5 ( 2-13/32" )	

Item No.	Magnetic Force (kg)	Weight (g)	Box (pcs)	Carton (pcs)
FS-17	6 (13.1 lbs)	18	50	100

# THIN MAGNETIC CATCH (SNAP-IN TYPE)



MC-FS-2, MC-FS-4



Cut Out Dimensions

- Snap-in magnetic catch for sheet metal applications.
- Small size for tight spaces.

No.	Part Name	Material	Finish/Color
①	Housing	ABS	White
②	Yoke	Steel	Yellow Zinc Chromate
③	Magnet	W: Ferrite SW: Neodymium	-

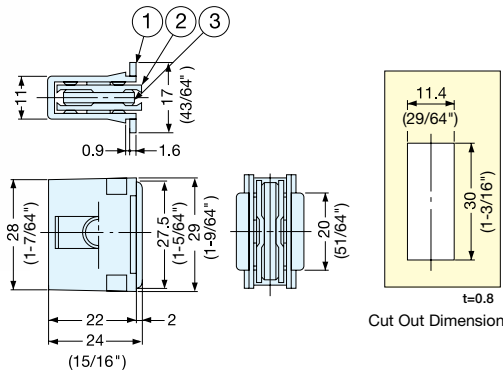
Panel Thickness	Cut Out Dimensions	
	A	B
0.8	39.9 ( 1-37/64" )	5 ( 13/64" )
1.0		
1.2		
	41.8 ( 1-41/64" )	

Item No.	L	L <sub>1</sub>	L <sub>2</sub>	Magnetic Force (kg)	Weight (g)	Box (pcs)	Carton (pcs)
MC-FS-2 W	26.5 ( 1-3/64" )	22.4 ( 57/64" )	16.0 ( 5/8" )	1.5 ( 3.3 lbs )	3.5	400	4000
MC-FS-2SW				3.5 ( 7.7 lbs )			
MC-FS-4 W	45.0 ( 1-25/32" )	39.6 ( 1-9/16" )	30.3 ( 1-3/16" )	2.5 ( 5.5 lbs )	5.8	200	2000
MC-FS-4S W				7.0 ( 15.4 lbs )			

# MAGNETIC CATCH (SNAP-IN TYPE)



MC-SS30



Cut Out Dimensions

- Snap-in magnetic catch for sheet metal applications.
- Panel Thickness: 0.8mm

No.	Part Name	Material	Finish/Color
①	Housing	ABS	Ivory
②	Yoke	Steel	Yellow Zinc Chromate
③	Magnet	Ferrite	-

Item No.	Magnetic Force (kg)	Weight (g)	Box (pcs)	Carton
MC-SS30	3 (6.6 lbs)	22	60	600