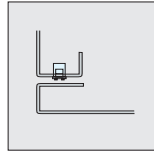
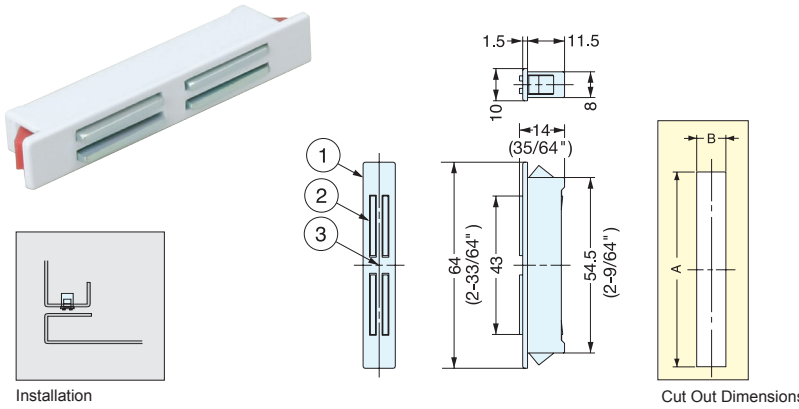


MAGNETIC CATCH (SNAP-IN TYPE)



FS-17

- Snap-in magnetic catch for sheet metal applications.



Installation

Cut Out Dimensions

No.	Part Name	Material	Finish/Color
①	Housing	ABS	White
②	Yoke	Steel	Yellow Zinc Chromate
③	Magnet	Ferrite	-

Panel Thickness	Cut Out Dimensions	
	A	B
0.8	55.0 (2-5/32")	8.2 (21/64")
1.0		
1.2		
1.6	55.5 (2-3/16")	
2.0	56.0 (2-13/64")	
	56.5 (2-7/32")	

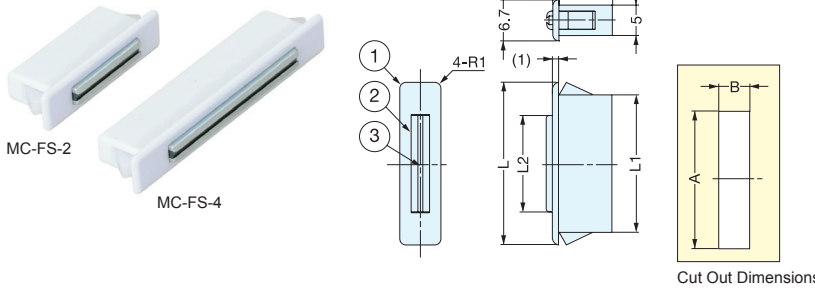
Item No.	Magnetic Force (kg)	Weight (g)	Box (pcs)	Carton (pcs)
FS-17	6 (13.1 lbs)	18	50	100

THIN MAGNETIC CATCH (SNAP-IN TYPE)



MC-FS

- Snap-in magnetic catch for sheet metal applications.
- Small size for tight spaces.



No.	Part Name	Material	Finish/Color
①	Housing	ABS	White
②	Yoke	Steel	Yellow Zinc Chromate
③	Magnet	W: Ferrite SW: Neodymium	-

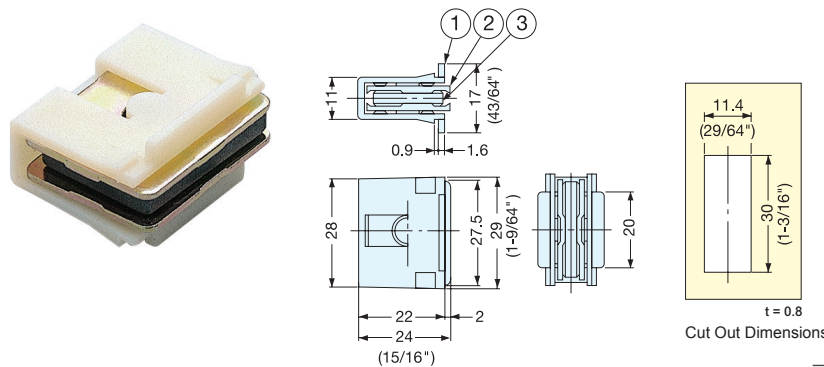
Panel Thickness	Cut Out Dimensions	
	A	B
0.8	39.9 (1-37/64")	5 (13/64")
1.0	40.5 (1-19/32")	
1.2	41.8 (1-41/64")	

Item No.	L	L ₁	L ₂	Magnetic Force (kg)	Weight (g)	Box (pcs)	Carton (pcs)
MC-FS-2W	26.5 (1-3/64")	22.4 (57/64")	16.0 (5/8")	1.5 (3.3 lbs)	3.5	400	4000
MC-FS-2SW				3.5 (7.7 lbs)			
MC-FS-4W	45.0 (1-25/32")	39.6 (1-9/16")	30.3 (1-3/16")	2.5 (5.5 lbs)	5.8	200	2000
MC-FS-4SW				7.0 (15.4 lbs)			

MAGNETIC CATCH (SNAP-IN TYPE)

MC-SS30

- Snap-in magnetic catch for sheet metal applications.
- Panel Thickness: 0.8 mm



No.	Part Name	Material	Finish/Color
①	Housing	ABS	Ivory
②	Yoke	Steel	Yellow Zinc Chromate
③	Magnet	Ferrite	-

Item No.	Magnetic Force (kg)	Weight (g)	Box (pcs)	Carton
MC-SS30	3 (6.6 lbs)	22	60	600