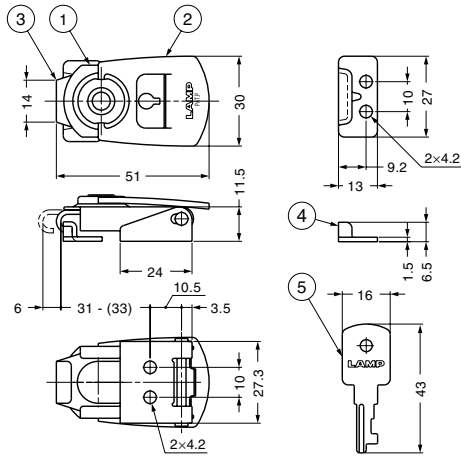


STAINLESS STEEL DRAW LATCH

TEST METHOD 7 TEST METHOD 17 STAINLESS 304 STEEL PN-51



Features
High corrosion resistance.

Remarks
Key changes are not available.

No.	Part Name	Material	Finish
①, ②	Body, Lever	Stainless Steel (SUS304)	Plain
③	Hook	Stainless Steel (SUS304)	Plain
④	Counter Plate	Stainless Steel (SUS304)	Plain
⑤	Key	Steel	Nickel

Item Code	Item Name	Load Capacity		Weight	Box	Carton
120-040-489	PN-51	686 N	70 kgf	50 g	40 pcs	240 pcs

FLUSH SLAM LATCH

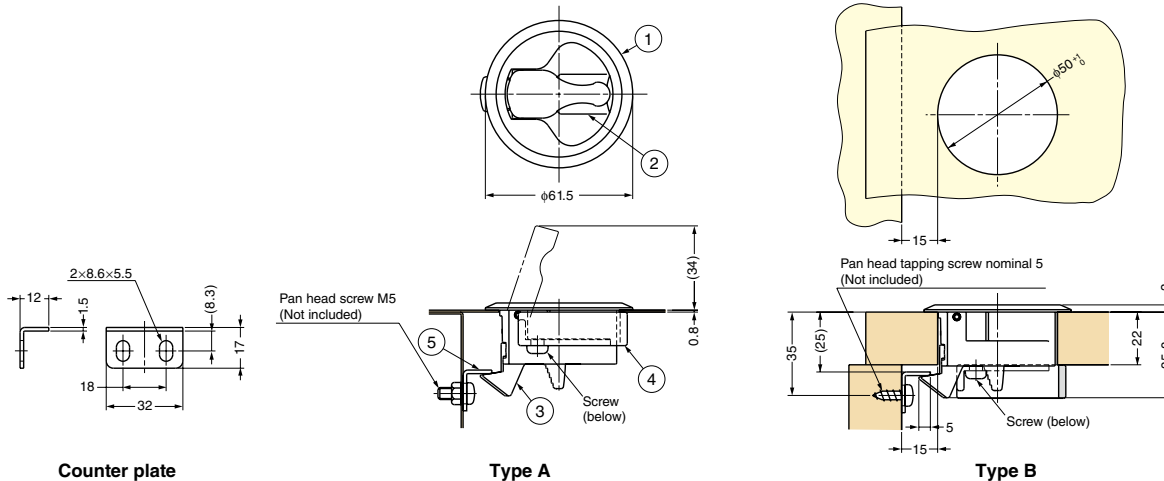
L=R STAINLESS LJ-61



- Features**
- Door will be latched when closed.
 - Pull lever to open.
 - Non-Handed: Can be installed on left or right side.
 - All components are plastic, 304 or 316 stainless steel to provide high corrosion resistance.
 - Easy installation. Insert the latch body through cut out section and simply screw-on the back plate.
 - Back plate is designed to accommodate door thickness 0.8 mm - 12 mm, and also 12.5 mm - 22 mm by flipping over.
 - Can be released from inside.

- Parts Included**
- Pan head screw M5x12 (SUS316)
 - Pan head screw M5x18 (SUS316)

Cut Out Dimensions



Screws

Type	Door Thickness	Screw
Type A	0.8 - 7.5	Pan Head Tapping Screw M5x12
Type A	8 - 12	Pan Head Tapping Screw M5x18
Type B	12.5 - 18.5	Pan Head Tapping Screw M5x12
Type B	19 - 22	Pan Head Tapping Screw M5x18

No.	Part Name	Material	Finish/Colour
①	Body	Polycarbonate	Black, White
②	Lever	Polycarbonate	Black, White
③	Latch	Polyacetal (POM)	Black, White
④	Back Plate	Polycarbonate	Black, White
⑤	Counter Plate	Stainless Steel (SUS316)	Mirror

Item Code	Item Name	Colour	Retaining Force		Weight	Box	Carton
140-050-031	LJ-61-BL	Black	147 N	15 kgf	60 g	10 pcs	120 pcs
140-059-200	LJ-61-WT	White	147 N	15 kgf	60 g	10 pcs	120 pcs