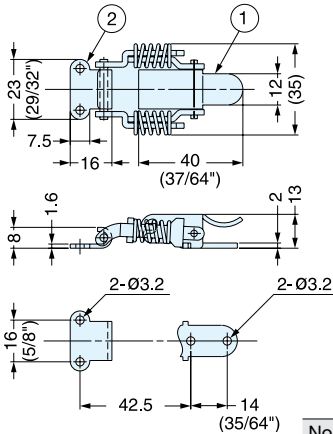


COMPRESSION DRAW LATCH



SCCA-40



- Spring loaded design compensates for tolerance and vibrations.
- Provides constant hold tension for secure latching.

*Dimension shown is in case of clamping force "0".

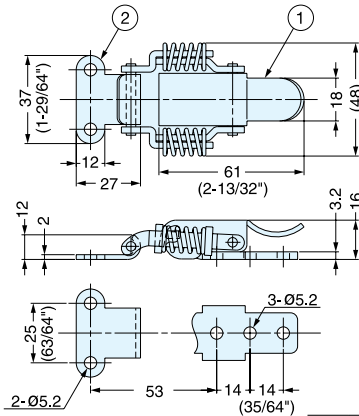
Item No.	Weight (g)	Box (pcs)	Carton (pcs)
SCCA-40	38	100	-

No.	Part Name	Material	Finish
①	Body	Steel	Yellow Zinc Chromate
②	CounterPlate		

COMPRESSION DRAW LATCH



SCCA-60



- Spring loaded design compensates for tolerance and vibrations.
- Provides constant hold tension for secure latching.

*Dimension shown is in case of clamping force "0".

Item No.	Weight (g)	Box (pcs)	Carton (pcs)
SCCA-60	102	100	-

No.	Part Name	Material	Finish
①	Body	Steel	Yellow Zinc Chromate
②	CounterPlate		

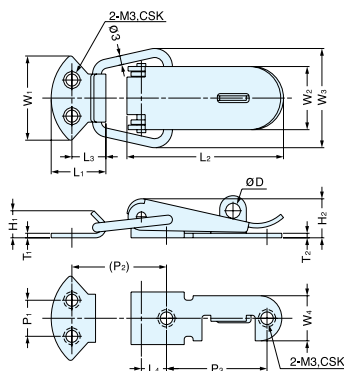
DRAW LATCH



PS



PS30A



- Padlockable
- PS31A and PS30A are designed for use with a padlock (not included.)

Material	Finish
304 Stainless steel	Polished

Item No.	øD	Load Capacity (kg)	Weight (g)	Box (pcs)	Carton (pcs)
PS31A	5.0	10 (22 lbs)	19	100	500
PS30A	5.5	15 (33 lbs)	35		400
PS31	-	10 (22 lbs)	19		500
PS30	-	15 (33 lbs)	38		400

Item No.	Pad Lock Hole	L1	L2	L3	L4	W1	W2	W3	W4	H1	H2	T1	T2	P1	(P2)	P3
PS31A	With Hole	16	40 (1-37/64")	10.0	8.0	23 (29/32")	16	26	13	9	9.5	1.2	1.0	10	30	23
PS30A		18	53 (2-3/32")	11.5	8.5	28 (1-7/64")	21	32	15	10	13.0	1.5	1.5	12	33	34
PS31	Without Hole	19	38 (1-1/2")	11.0	7.0	24 (61/64")	16	26	13	8	9.5	1.2	1.0	10	30	23
PS30		18	53 (2-3/32")	11.5	8.5	28 (1-7/64")	21	32	15	10	13.0	1.5	1.5	12	33	34