

## STAINLESS STEEL DRAW LATCH PN-51 With Spring

LOAD CAPACITY **686 N**

TEST METHOD **7**

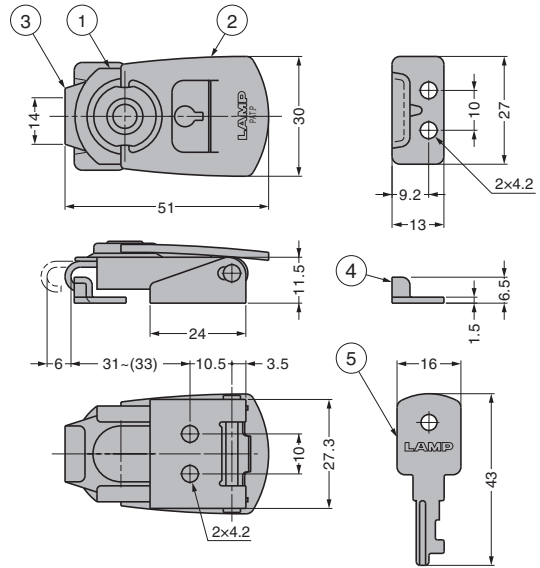
TEST METHOD **17**

**SUS**



**[Remarks]**

- When locked, check if the lever does not rise.
- Key changes are not available.



No.	Part Name	Material	Finish
①	Body	Stainless Steel (SUS304)	Plain
②	Lever		
③	Hook		
④	Counter Plate	Steel (SPCC)	Chrome
⑤	Key		

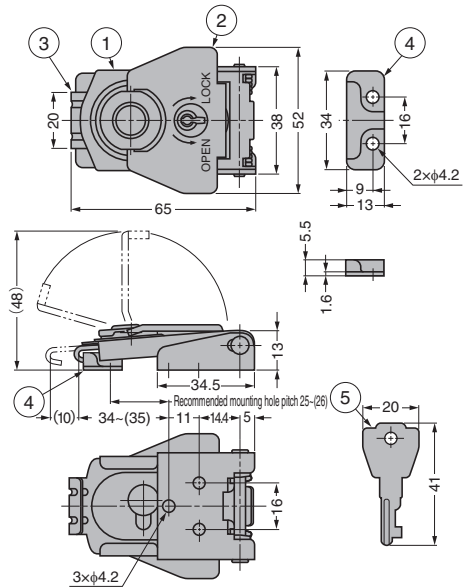
RoHS	CAD	Item Code	Item Name	Key Type	Load Capacity N	Load Capacity kgf	Weight (g)	Box (pcs)	Carton (pcs)
		120-040-489	PN-51	Key Alike	686	70	50	40	240

## DRAW LATCH P1040 With Spring



**[Remarks]**

- When locked, check if the lever does not rise.



No.	Part Name	Material		Finish
		P1040SCR	P1040SUS	
①	Body	Steel	Stainless Steel (SUS304)	Chrome
②	Lever	Stainless Steel (SUS430)	Stainless Steel (SUS430)	-
③	Hook	Stainless Steel (SUS430)	Stainless Steel (SUS430)	-
④	Counter Plate (P100H02)	Steel (SPCC)	Stainless Steel (SUS304)	Chrome
⑤	Key	Steel (SPCC)	Steel (SPCC)	Nickel

RoHS	CAD	Item Code	Item Name	Key Type	Weight (g)	Box (pcs)	Carton (pcs)
-		120-049-240	P1040SCR	Key Alike	105	60	-
		120-049-413	P1040SUS		105	60	240