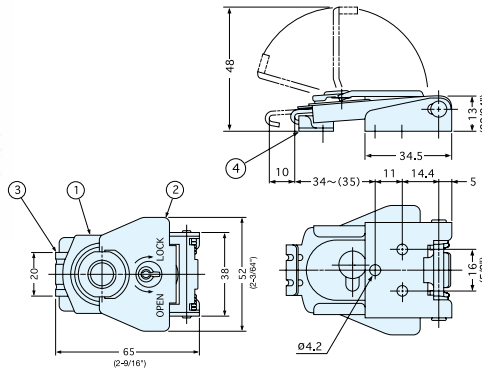


DRAW LATCH



P-1040/SS



- Lift handle and turn 180° open and close latch.
- Stainless draw latch with key.
- Note: key changes are not available.

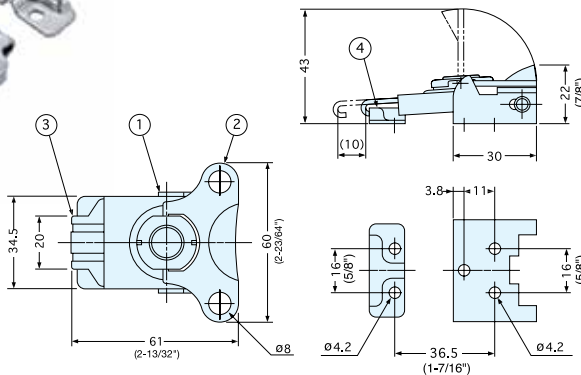
No.	Part Name	Material	Finish
①	Body	304 Stainless Steel	Polished
②	Lever	304 Stainless Steel	
③	Hook	430 Stainless Steel	
④	Counterplate	304 Stainless Steel	Nickel
⑤	Key	Steel	

Item No.	Weight (g)	Box (pcs)	Carton (pcs)
P-1040/SS	105	60	240

DRAW LATCH



P-102H/SS



- Lift handle and turn 180° open and close latch.

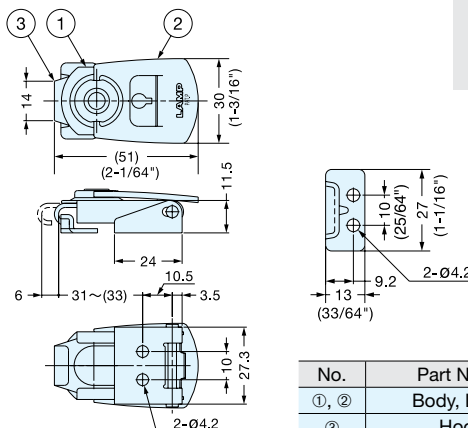
No.	Part Name	Material	Finish
①	Body	304 Stainless Steel	Polished
②	Lever	304 Stainless Steel	
③	Hook	430 Stainless Steel	
④	Counterplate	304 Stainless Steel	Nickel

Item No.	Weight (g)	Box (pcs)	Carton (pcs)
P-102H/SS	85	60	600

MINI DRAW LATCH



PN-51



- Lift handle and turn 180° open and close latch.
- Small stainless draw latch with key.
- Note: key changes are not available.

No.	Part Name	Material	Finish
①, ②	Body, Lever	304 Stainless Steel	Plain
③	Hook		
④	Counterplate		
⑤	Key	Steel	Nickel

Item No.	Weight (g)	Box (pcs)	Carton (pcs)
PN-51	50	40	400