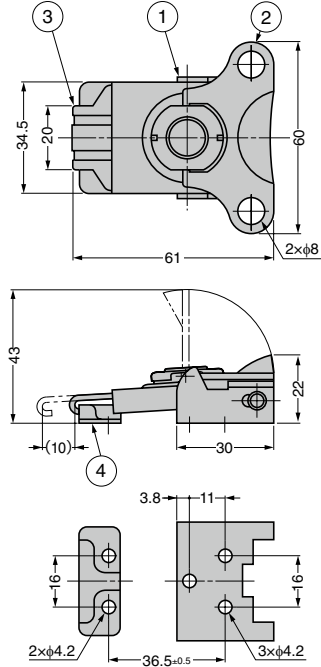


DRAW LATCH P102H With Spring



● Available in steel and stainless steel.



No.	Part Name	Material	Finish
①	Body	Steel (SPCC)	Chrome
②	Lever		
③	Hook	Stainless Steel (SUS430)	-
④	Counter Plate (P100H02)	Steel (SPCC)	Chrome

R/H/S	CAD	Item Code	Item Name	Weight (g)	Box (pcs)	Carton (pcs)
G	3D	120-049-233	P102HSCR	85	60	240
G	3D	120-049-234	P102HSUS		60	600

MAGNETIC CATCHES

KNUCKLE CATCHES & TENSION CATCHES

TOUCH LATCHES

LEVER LATCHES

SLIDE / BARREL BOLTS

DRAW LATCHES

PUSH LOCK FASTENERS & KNOB FASTENERS

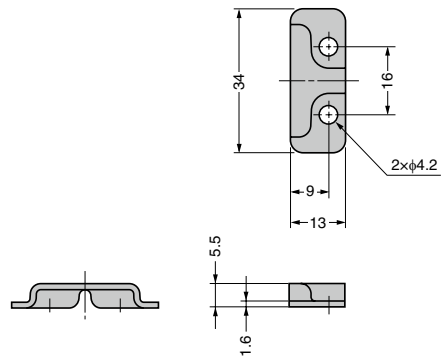
ALUMINIUM FRAME CORNER CONNECTORS

DOOR DAMPERS

COUNTER PLATE P100H02



● Counter plate for draw latches P1040 ① and P102H ② draw latch.



R/H/S	CAD	Item Code	Item Name	Material	Finish	Weight (g)	Box (pcs)	Carton (pcs)
G	3D	120-049-231	P100H02	Steel (SPCC)	Chrome	6	1	-

Refer to ① : P.685, ② : P.686