

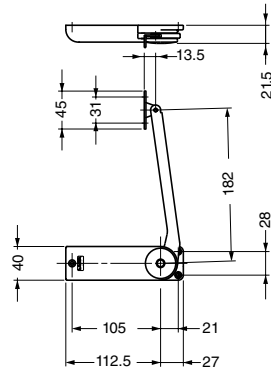
OVER THE TOP FLIPPER DOOR MECHANISM (W/ LIFT-ASSIST)



OV-EZ

LID SUPPORTS

OVER THE TOP FLIPPER DOOR MECHANISM (W/ LIFT-ASSIST)



Features

- For upward-opening flap doors.
- Provides lift-assist for light and easy lifting.
- Built-in damper provides soft closing near closing radius, preventing slamming.
- Flap door retracts above cabinet top when opened, greatly reducing dead space.

Remarks

1 pair of OV-EZ body and 2 pcs of C1315 rail (sold separately) are necessary for 1 cabinet.

Parts Included

Binding head tapping screw 3.5x16

Sold Separately

- C1315 rail (below)
- BS-2 clear bumper or angle stopper OV-EZ-SP (P.527) for noise prevention

Video Link



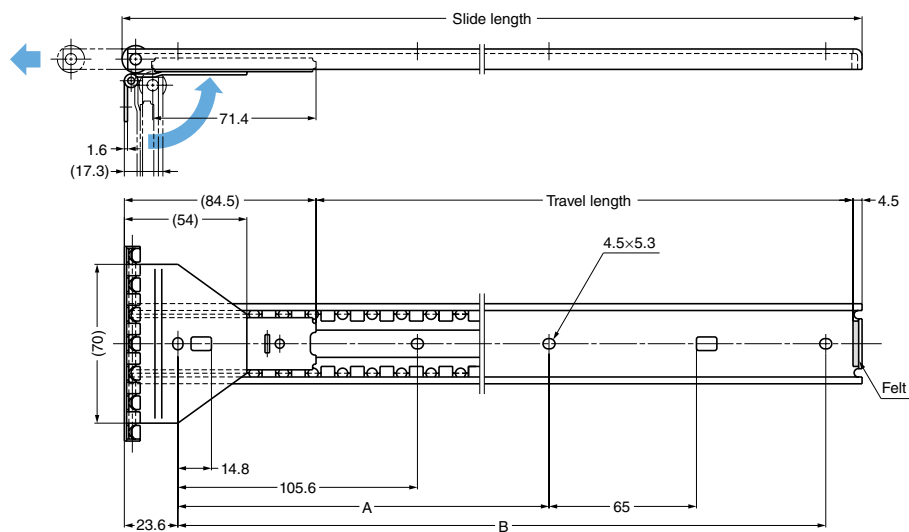
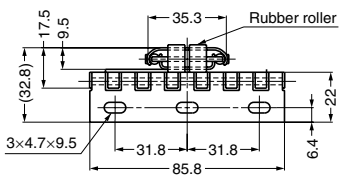
Body (1 pair)

Item Code	Item Name	Material	Finish/Colour	Door Weight* for Lift-assist Function	Door Weight* for Free-stop Function	Door Width	Door Height	Door Thickness	Weight	Carton
180-100-091	OV-EZ-3	ABS/Steel	Black/Nickel	2.5 - 4.0 kg	4.0 - 6.5 kg	600 - 1200	370 - 450	Min. 15	564 g	50 pairs
180-100-092	OV-EZ-5	ABS/Steel	Black/Nickel	3.5 - 5.0 kg	5.0 - 8.0 kg	600 - 1200	370 - 450	Min. 15	538 g	50 pairs
180-100-093	OV-EZ-7	ABS/Steel	Black/Nickel	4.5 - 6.0 kg	6.0 - 10.0 kg	600 - 1200	370 - 450	Min. 15	600 g	50 pairs
180-100-094	*OV-EZ-9	ABS/Steel	Black/Nickel	5.5 - 7.0 kg	7.0 - 11.5 kg	600 - 1200	370 - 450	Min. 15	-	50 pairs

*Made to order

*In case the door height is 380 mm.

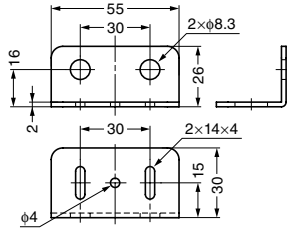
C1315 Rail (Sold Separately)



Item Code	Item Name	Material	Finish	Slide Length	Travel Length	A	B	Weight	Carton
190-113-849	C1315-14	Steel	Clear Zinc Chromate	350.6	262	186.7	310.5	320 g (1 pc)	20 pcs
190-113-850	C1315-18	Steel	Clear Zinc Chromate	450.6	362	286.7	410.5	390 g (1 pc)	20 pcs

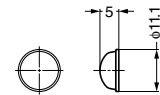
2 pcs of C1315 rail are necessary for 1 cabinet.

Angle Stopper (Sold Separately)



Item Code	Item Name	Material	Finish	Weight	Box	Carton
180-109-402	OV-EZ-SP	Steel	Black Chromate	47 g	70 pcs	420 pcs

BS Clear Bumper (Sold Separately)

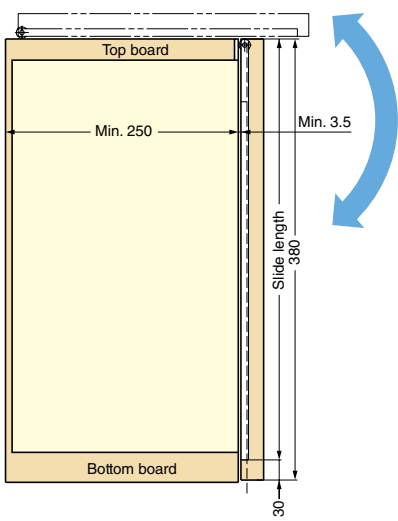


Item Code	Item Name	Material	Colour
210-030-568	BS-2	Polyurethane (PUR)	Clear

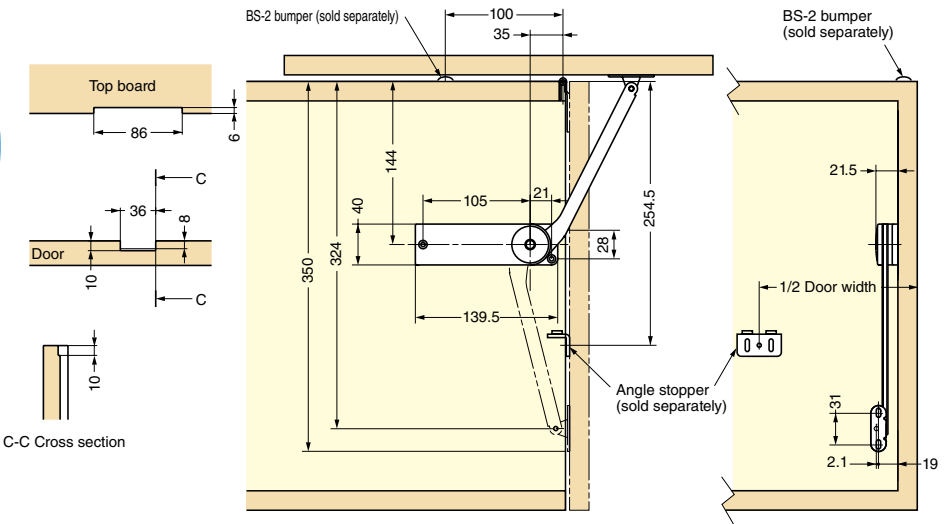
Sold per sheet (242 pcs).

Cut Out Dimensions

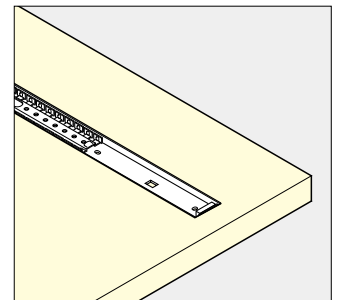
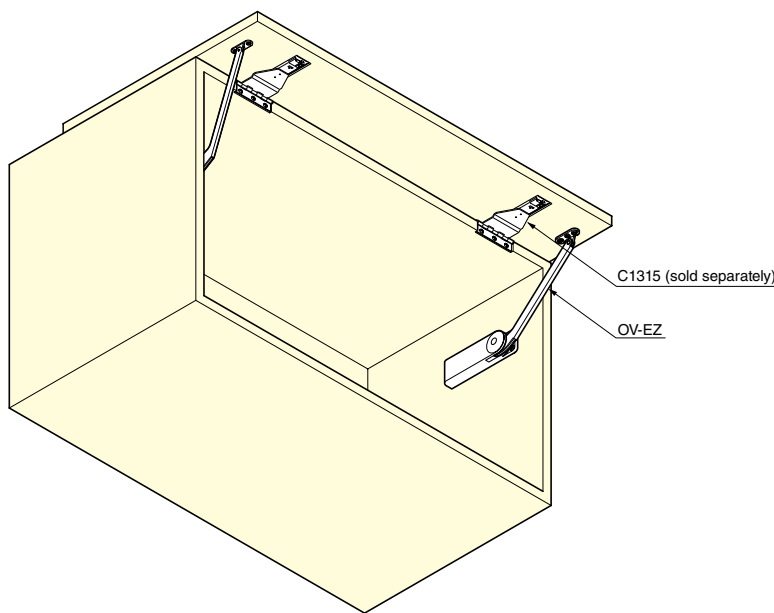
Cabinet cutaway view
(for door height: 380 mm)



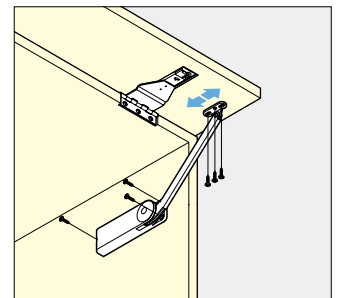
Cabinet front
(for travel length of C1315-14: 260 mm)



Installation



• Install C1315 rail.



• Mount the OV-EZ mechanism to the side walls of the cabinet.