

# HEAVY DUTY LID STAY LB-S350, LB-S450

TEST METHOD 16 L=R SUS

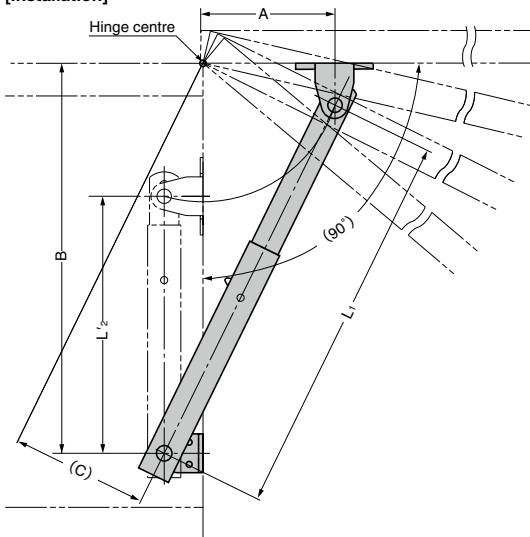


Opening Direction	Item Name	Description	Non-handed	Qty	Compression Load
Upward-opening※	LB-S350	Holds When Fully Opened	Yes	1 Unit Per Door (More Consultation Needed for 2 Units per Door)	1307 N/pc (133 kgf/pc)
	LB-S450				953 N/pc (97 kgf/pc)

※ Can also be used for top-opening lid, depending on installation conditions. Please confirm with actual item in detail.

- Holds the lid in fully opened position. Slightly lift up the lid to release stopper.
- Dimension A can be within 300mm-550mm by made to order. For further details, please contact local representatives.
- Locks the stay in fully opened position by passing a pin through the lock hole.

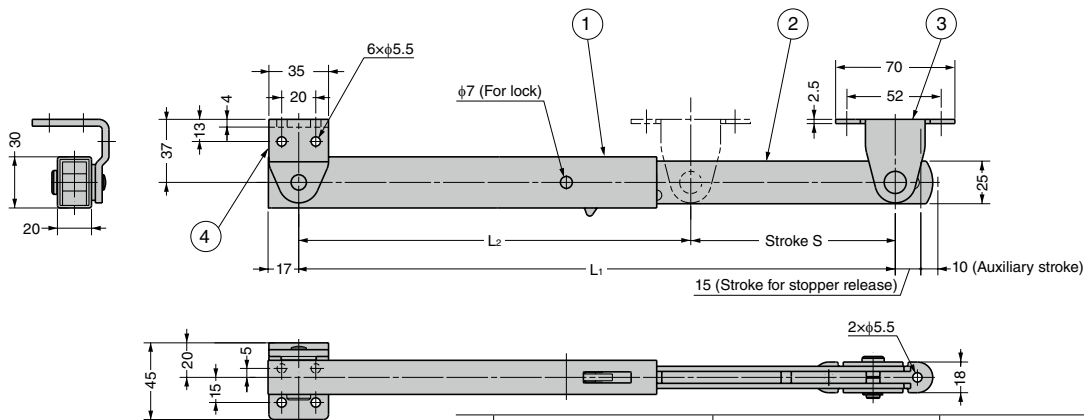
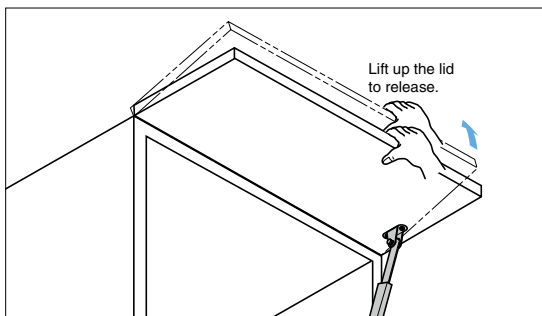
[Installation]



[Remarks]

- Appropriate bracket position can be determined depending on door height and opening angle. In this case, ensure that L<sub>2</sub> of the installation example is above 235mm (for LB-S350) or above 285mm (for LB-S450). (Or the hinge and stay may be damaged, or the stopper may not operate with the stay extended.)
- Can be used singly or in pairs, depending on door width and door weight. For further details, please contact local representatives.
- Calculate suitable door size with reference to LID STAY L SERIES 1.

[Stopper Release]



No.	Part Name	Material	Finish
①	Body	Stainless Steel (SUS304)	Satin
②	Arm		
③	Arm Bracket		Barrel Polished
④	Bracket		

RoHS	CAD	Item Code	Item Name	L <sub>1</sub>	L <sub>2</sub>	S	A	B	C	Compression Load N/pc	Compression Load kgf/pc	Weight (g)	Box (pcs)	Carton (pcs)
☑	☑	180-100-168	LB-S350	350	230	120	115	352	119.6	1307	133	745	5	20
☑	☑	180-100-169	LB-S450	450	280	170	155	442	155.5	953	97	865	5	20

Refer to 1 : P.301

LIFT ASSIST STAYS

SOFT CLOSING STAYS

TORQUE STAYS

HEAVY DUTY LOCKING STAYS

FOOT STAYS

LID STAYS

OTHER STAYS

TOP-OPENING

DOWNWARD-OPENING

UPWARD-OPENING

BOTTOM-OPENING

SWING DOOR

LIFT-UP

LIFT-DOWN

UP & OVER

BI-FOLDING

OVER THE TOP