

# ADJUSTABLE SOFT-DOWN STAY NSDX-35 (R/L)

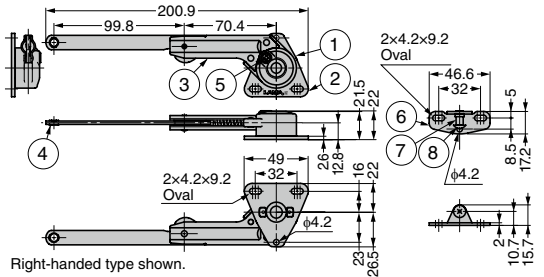


Opening Direction	Description	Non-handed	Maximum Door Moment
	With Catch	-	1.96-6.86 N · m/pc (20-70 kgf · cm/pc)

- For upward-opening doors.
- Designed to hold the door in fully opened and closed position.
- Opening angle 80°, 90° or 100°.
- Closing speed adjustable with adjustment screw.
- AS parts set **1** for installing to aluminium frame also available.

### [Maximum Door Moment]

- With 1 stay  
Maximum door moment = 1.96-6.86 N · m
- With 2 stays, the maximum door moment will be doubled.  
Maximum door moment (N · m) = Door weight (kg) × 9.80665 × Distance from rotation centre to door centre of gravity (m)

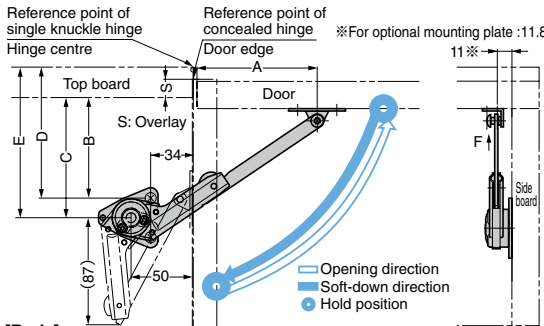


Right-handed type shown.

No.	Part Name	Material	Finish/Colour
①	Body	Zinc Alloy (ZDC)	
②	Mounting Plate	Steel (SPCC)	Nickel
③	Arm		
④	Sleeve	POM	Black
⑤	Adjustment Screw	Steel (SWCH)	
⑥	Arm Mounting Plate	Steel (SPCC)	Nickel
⑦	Shaft		
⑧	Truss Head Screw (M4×5)	Steel (SWCH)	

### [Installation] Right side installation for upward-opening 90°. Left side installation is symmetrical.

Comes down slowly and softly in closing direction. Installation with piano/butt hinge or concealed hinge shown below.



### [Body]

RoHS	CAD	Item Code	Item Name	Type	Material	Finish	Maximum Door Moment N · m/pc	Maximum Door Moment kgf · cm/pc	Weight (g)	Box (pcs)	Carton (pcs)
		180-109-028	NSDX-35R	Right-handed	Zinc Alloy (ZDC)/Steel	Nickel	1.96-6.86	20-70	170	20	80
		180-109-029	NSDX-35L	Left-handed						20	80

### [Mounting Plate] Sold Separately **3**

RoHS	CAD	Item Code	Item Name	Type	Weight (g)	Box (pcs)	Carton (pcs)
		180-109-032	NSDX-SZ	Screw on	14	160	640
		180-109-460	NSDX-CZ	Clip on	13	160	640
		180-109-019	NSDX-AZ	Clip on for 20 mm Aluminium Frame	11	320	1280
		180-109-459	NSDX-GZ	Clip on for Glass Door	14	160	640

Refer to **1** : P.261, **2** : P.207, **3** **4** **5** : P.267

### [Specifications]

- Operating temperature: 0°C-40°C

### [Remarks]

- Be sure to read the "Cautions" **2**.
- Handed: Specific left and right-handed.
- Door closing speed varies depending on product difference and use conditions.
- Do not push the door up more than opening angle. Also do not forcibly press the door down when closing.

### [Sold Separately]

- Mounting plate **3**
- SDS face plate and spacer for glass door **4** (Please order when using **5** mounting plate NSDX-GZ.)

### Video Link

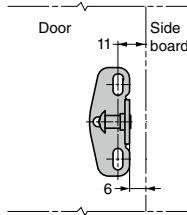


### Selection Tool

**Sasuga-kun**  
Applicable Products  
Used for Product Selection & Simulation.  
Available on Web!

### [Installation for Mounting Plate]

F-view (refer to "Installation")



Hinge Type		A	B	C	D	E
80°	Concealed Hinge	106	105-S	121-S	-	-
	Single Knuckle Hinge	100	-	-	99	115
90°	Concealed Hinge	98	97-S	113-S	-	-
	Single Knuckle Hinge	91.5	-	-	90.5	106.5
100°	Concealed Hinge	92.5	91.5-S	107.5-S	-	-
	Single Knuckle Hinge	85	-	-	84	100

Installation dimensions vary depending on hinge type and opening angle.

- S is overlay at hinge side.
- Reference point for each dimension: hinge centre for single knuckle hinge, while door edge for concealed hinge.

### [SDS Face Plate and Spacer for Glass Door] Sold Separately **4** (Please use with mounting plate NSDX-GZ **5**.)

RoHS	CAD	Item Code	Item Name	Material	Finish/Colour	Weight (g)	Box (pcs)	Carton (pcs)
		180-100-260	SDS-50G-CR	Zinc Alloy (ZDC)	Chrome/Black	25	50	200
		180-928-046	SDS-50G-BL	Zinc Alloy (ZDC)/ABS	Black Enamel Finish/Black		50	200

**AS Parts Set for Installing to Aluminium Frame**

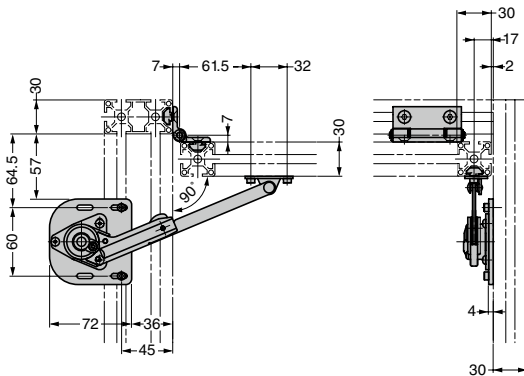
Please refer to the series introduction page 1 for details about AS series.



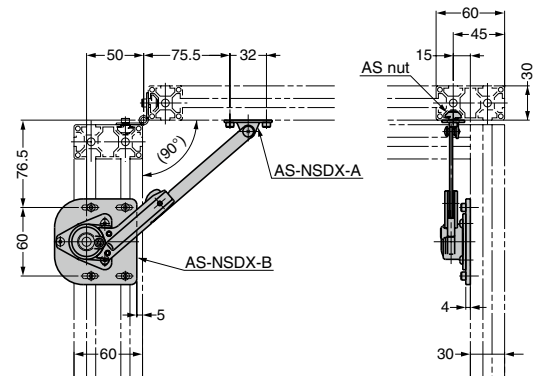
[AS Parts Set] Parts set of brackets, screws and AS nuts used for installing to aluminium frame.

RefS	CAD	Item Code	Item Name	Aluminium Frame	Parts	Weight (g)
		180-041-647	AS-NSDX-35RK-30-6	Groove Width 6 mm	NSDX-35RK : 1 pc AS Nut AS-6M4 : 6 pcs Hexagon Socket Button Head Screw M4×6 : 3 pcs Bracket AS-NSDX-B : 1 pc Hexagon Socket Head Cap Screw M4×12 : 4 pcs Bracket AS-NSDX-A : 1 pc Hexagon Socket Head Cap Screw M4×10 : 2 pcs	-
		180-041-649	AS-NSDX-35LK-30-6		NSDX-35LK : 1 pc AS Nut AS-6M4 : 6 pcs Hexagon Socket Button Head Screw M4×6 : 3 pcs Bracket AS-NSDX-B : 1 pc Hexagon Socket Head Cap Screw M4×12 : 4 pcs Bracket AS-NSDX-A : 1 pc Hexagon Socket Head Cap Screw M4×10 : 2 pcs	-
		180-041-648	AS-NSDX-35RK-30-8	Groove Width 8 mm	NSDX-35RK : 1 pc AS Nut AS-8M4 : 6 pcs Hexagon Socket Button Head Screw M4×6 : 3 pcs Bracket AS-NSDX-B : 1 pc Hexagon Socket Head Cap Screw M4×12 : 4 pcs Bracket AS-NSDX-A : 1 pc Hexagon Socket Head Cap Screw M4×10 : 2 pcs	-
		180-041-650	AS-NSDX-35LK-30-8		NSDX-35LK : 1 pc AS Nut AS-8M4 : 6 pcs Hexagon Socket Button Head Screw M4×6 : 3 pcs Bracket AS-NSDX-B : 1 pc Hexagon Socket Head Cap Screw M4×12 : 4 pcs Bracket AS-NSDX-A : 1 pc Hexagon Socket Head Cap Screw M4×10 : 2 pcs	-

[Dimensions (Inset)]



[Dimensions (Overlay)]



Refer to 1 : FRONT P.20

LIFT ASSIST STAYS

SOFT CLOSING STAYS

TORQUE STAYS

HEAVY DUTY LOCKING STAYS

FOOT STAYS

LID STAYS

OTHER STAYS

TOP-OPENING

DOWNWARD-OPENING

UPWARD-OPENING

BOTTOM-OPENING

SWING DOOR

LIFT-UP

LIFT-DOWN

UP & OVER

BI-FOLDING

OVER THE TOP