



S-AT02W

HEAVY DUTY SPRING LOADED LID STAY

LID SUPPORTS

HEAVY DUTY SPRING LOADED LID STAY



Features

- Approximately twice the torque of regular S-AT with a side-mount installation.
- Lift assist: makes lids feel lighter and easier to open.
- Free stop: holds position at any angle from 10° - 80°.
- Compact design allows interior to be used effectively.
- Both back mount and side mount type available. Both are non-handed.
- Successfully passed 10,000 open/close cycles in a private test.

Parts Included

- Bracket for side mount
- Truss head screw M5x6 (SUS) for side mount bracket

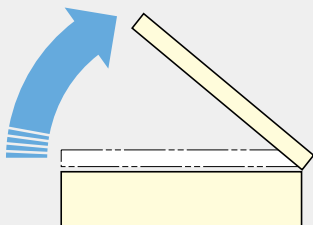
Recommended Screw

Truss head screw M5

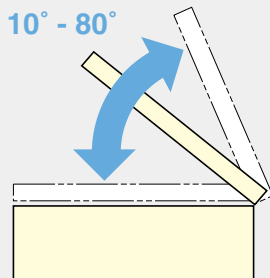
Remarks

Do not use with concealed hinge.

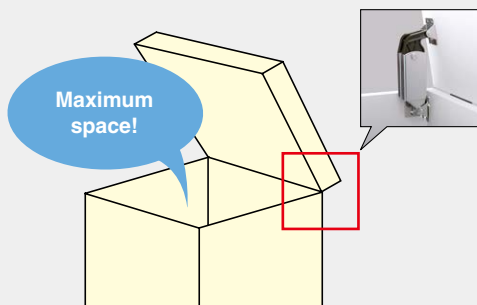
• Easy Operation with Power Assist



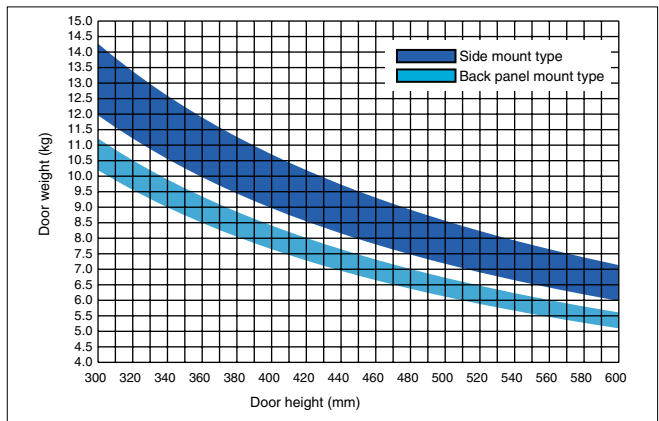
• Free-Stop



• Compact



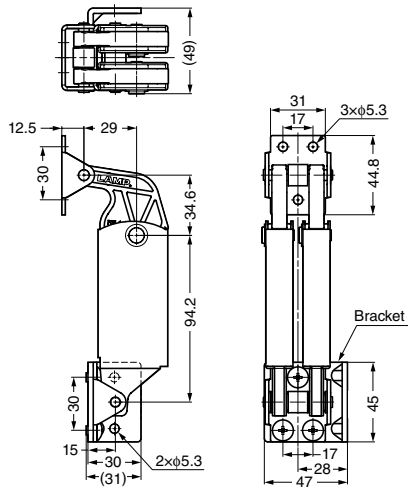
Door Size Ranges



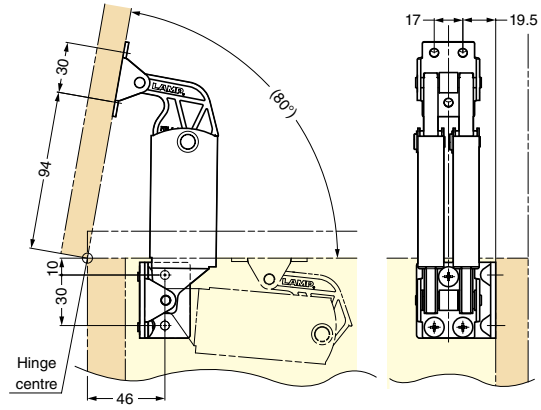
Torque

- With 1 stay
 - Torque (Side mount) = 17.6 - 21.0 N·m (180 - 214 kgf·cm)
 - Torque (Back panel mount) = 15.0 - 16.5 N·m (153 - 168 kgf·cm)
- With 2 stays, the torque will be doubled.

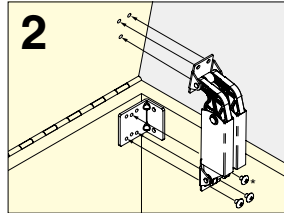
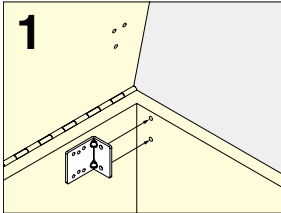
SIDE MOUNT TYPE



Installation

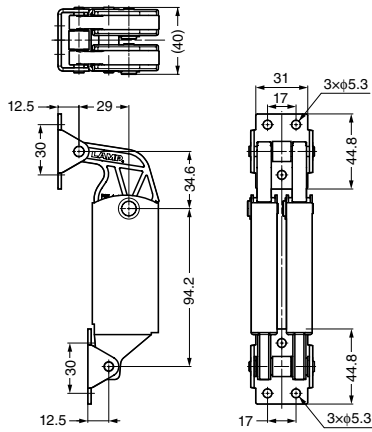


How to Install

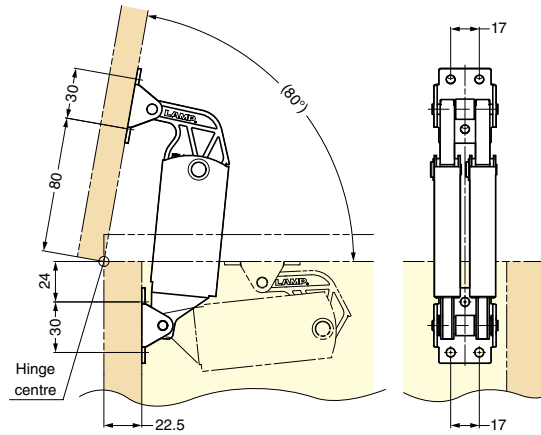


*Only these three screws are included.

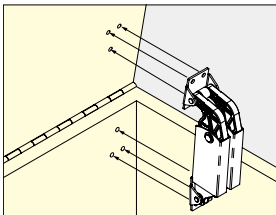
BACK PANEL MOUNT TYPE



Installation



How to Install



*Mounting screws are not included.

Item Code	Item Name	Material	Finish/Colour	Type	Torque Moment		Weight	Carton
180-025-461	S-AT02W	Stainless Steel (SUS430) /Polyacetal (POM)	Plain/Black	Side Mount Type	17.6 - 21.0 N-m/pc	180 - 214 kgf-cm/pc	490 g	10 pcs
				Back Panel Mount Type	15.0 - 16.5 N-m/pc	153 - 168 kgf-cm/pc		