

Please carefully read and follow the following instructions for proper installation of the S-AT spring lid stay

- The S-AT is a stay designed to assist the lifting of lid as described below. Sugatsune declines any responsibility for incident or injury caused by use others than originally intended for.
- Sugatsune liability is limited to the stay. It does in no way extend to the entire final assembly.
- The utmost care was taken during the production of this stay. Should you, however, find any defect, please immediately contact your local retailer for replacement.
- The warranty period is one year after shipment date. Sugatsune's liability shall be limited to replacement of the product and will in no case extend to the assembly as a whole.

CAUTION:

- ! Strictly follow lid sizes and weight as described below.
- ! Operation temperature range is 0°C ~40°C
- ! S-AT should be installed in a vertical position. Biased installation may damage the stay.
- ! Do not apply excessive force when opening or closing the lid.
- ! Never attempt to modify or disassemble the S-AT.

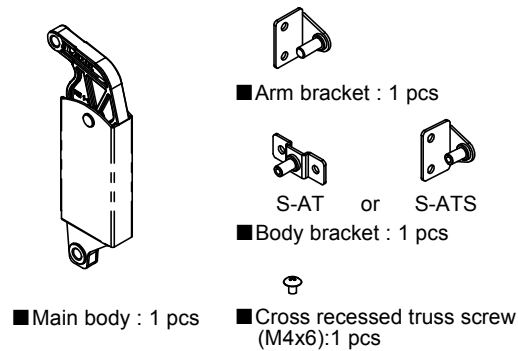
Applicable Lid Weight and Size

- The lid should be designed such that its torque moment is within the following range:
 S-AT01(S): 62-90 kg·cm
 S-AT02(S): 90-120 kg·cm
 The range above is shown when using one stay. When using two stays, simply double the value.

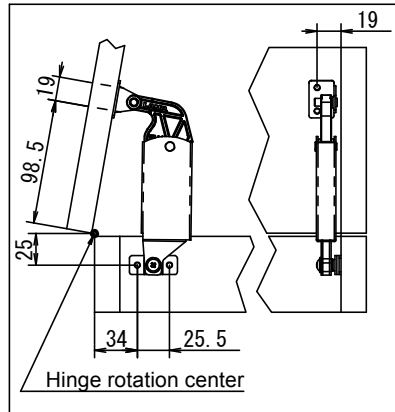
Lid torque moment is calculated as follows: [Lid height (mmm) / 2] x [Lid weight (kg)]

Parts List

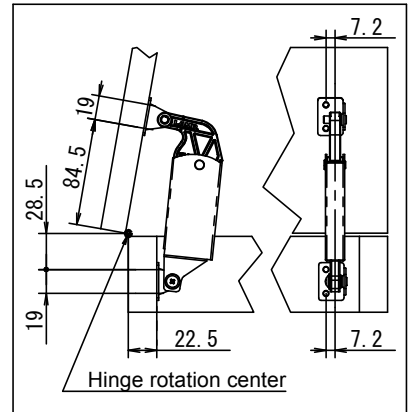
Installation Dimensions



S-AT01, S-AT02 (Side board installation)



S-AT01S, S-AT02S (Back board installation)



Installation screws are not provided.
 The following screw type is recommended:
 Wood: cross recessed truss tapping screw
 Metal sheet: cross recessed truss screw M4

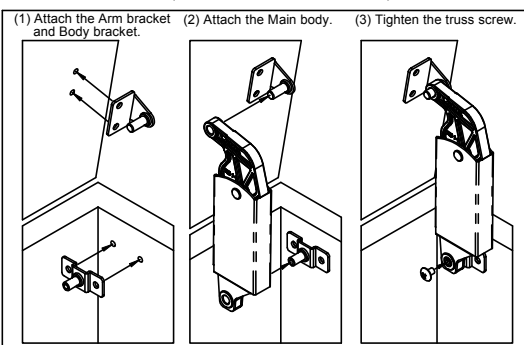


Caution

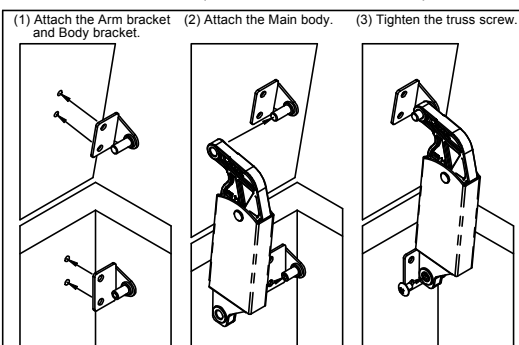
- ! When closing the lid, make sure that the arm bracket does not touch the side board.
- ! If you do not use a single axis hinge, please contact your local reseller for technical advice.

Installation Procedure

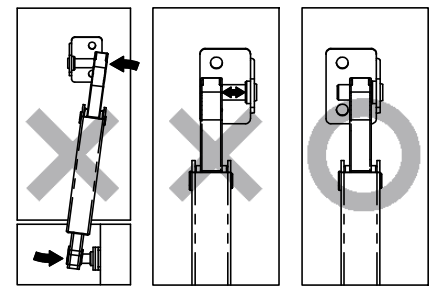
S-AT01, S-AT02 (Side board installation)



S-AT01S, S-AT02S (Back board installation)



Caution



Please make sure to regularly tighten all installation screws.

SUGATSUNE KOGYO CO.,LTD.
 Phone: +81 (0)3 3866 2260
 Fax: +81 (0)3 3866 4447
 E-mail: export@sugatsune.co.jp
 Website: www.sugatsune-intl.com

SUGATSUNE KOGYO (UK) LTD.
 Phone: +44 (0)1491 680737
 Fax: +44 (0)1491 60762
 E-mail: sales@sugatsune.co.uk
 Website: www.sugatsune.co.uk

SUGATSUNE AMERICA, INC.
 Phone: +1 310 3296373
 Fax: +1 310 3290819
 E-mail: sales@sugatsune.com
 Website: www.sugatsune.com

SUGATSUNE SHANGHAI CO., LTD.
 Phone: +86 (0)21 3632 1858
 Fax: +86 (0)21 3632 1868
 E-mail: lamp@sugatsune.com.cn
 Website: www.sugatsune.com.cn