

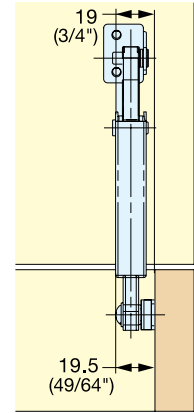
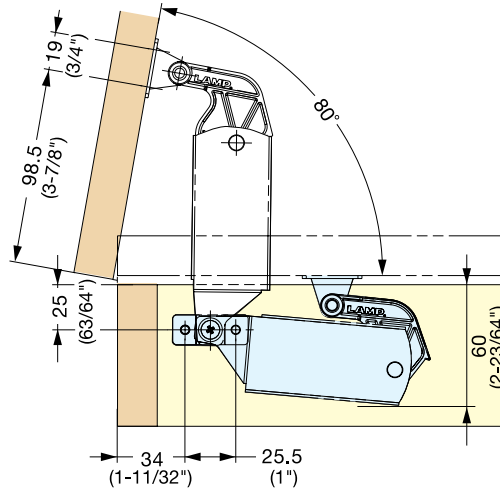
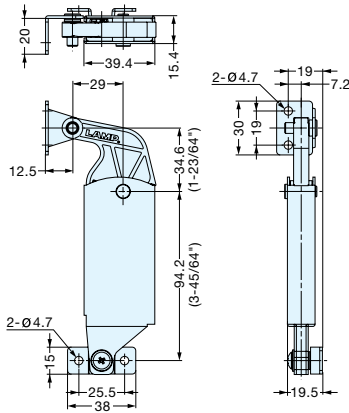
## HEAVY DUTY SPRING LOADED LID STAY



## S-AT01, S-AT02



- Side wall mounted.
- Spring mechanism assists in lifting door and holds in open position (10°~80°).
- Can be installed individually or in pairs.
- Non-Handed: Can be installed on left or right side.
- Does not work with concealed hinges.



Item No.	Material	Finish	Max. Torque per piece (kgf-cm)	Box (pcs)	Carton (pcs)
S-AT01	430 Stainless Steel/ Steel/Polyacetal	Plain	90 (78 lbs-in)	10	50
S-AT02			120 (104 lbs-in)		

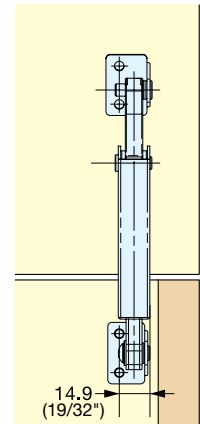
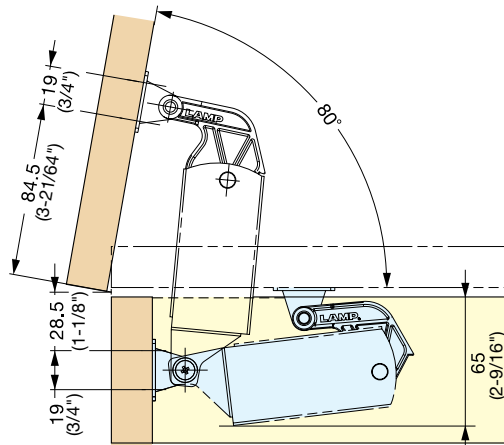
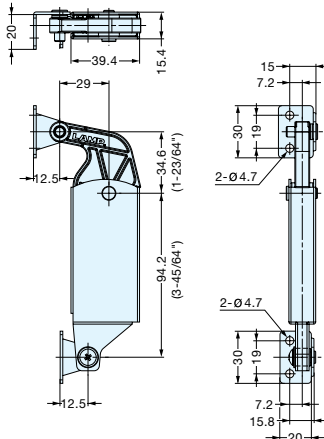
## HEAVY DUTY SPRING LOADED LID STAY



## S-AT01S, S-AT02S



- Back panel mounted.
- Spring mechanism assists in lifting door and holds in open position (10°~80°).
- Can be used individually or in multiples.
- Does not work with concealed hinges.



Item No.	Material	Finish	Max. Torque per piece (kgf-cm)	Box (pcs)	Carton (pcs)
S-AT01S	430 Stainless Steel/ Steel/Polyacetal	Plain	90 ( 78 lbs-in)	10	50
S-AT02S			120 (104 lbs-in)		