



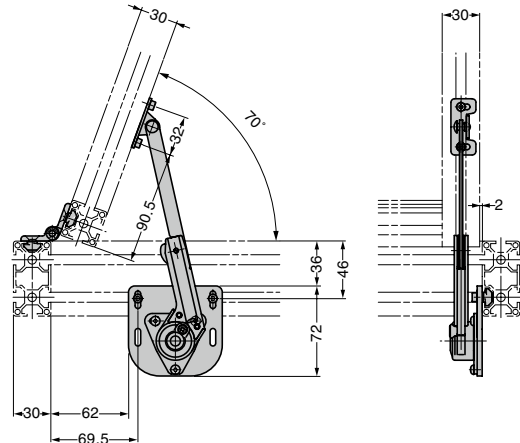
**AS Parts Set for Installing to Aluminium Frame** Please refer to the series introduction page 1 for details about AS series.



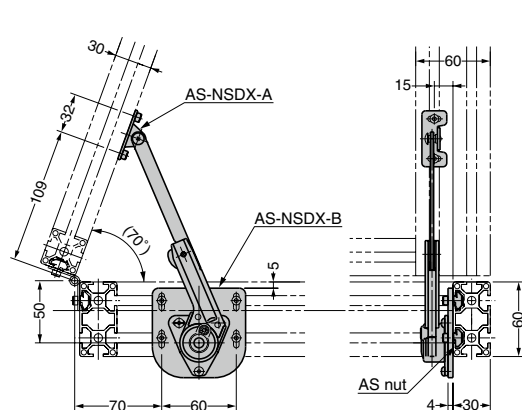
[AS Parts Set] Parts set of brackets, screws and AS nuts used for installing to aluminium frame.

Ref#S	CAD	Item Code	Item Name	Aluminium Frame	Parts	Weight (g)
G	3D	180-041-643	AS-NSDX-20RK-30-6	Groove Width 6 mm	NSDX-20RK : 1pc AS Nut AS-6M4 : 6pcs Hexagon Socket Button Head Screw M4 x 6 : 3pcs Bracket AS-NSDX-B : 1pc Hexagon Socket Head Cap Screw M4 x 12 : 4pcs Bracket AS-NSDX-A : 1pc Hexagon Socket Head Cap Screw M4 x 10 : 2pcs	-
G	3D	180-041-645	AS-NSDX-20LK-30-6		NSDX-20LK : 1 pc AS Nut AS-6M4 : 6pcs Hexagon Socket Button Head Screw M4 x 6 : 3pcs Bracket AS-NSDX-B : 1pc Hexagon Socket Head Cap Screw M4 x 12 : 4pcs Bracket AS-NSDX-A : 1pc Hexagon Socket Head Cap Screw M4 x 10 : 2pcs	-
G	3D	180-041-644	AS-NSDX-20RK-30-8	Groove Width 8 mm	NSDX-20RK : 1pc AS Nut AS-8M4 : 6pcs Hexagon Socket Button Head Screw M4 x 6 : 3pcs Bracket AS-NSDX-B : 1pc Hexagon Socket Head Cap Screw M4 x 12 : 4pcs Bracket AS-NSDX-A : 1pc Hexagon Socket Head Cap Screw M4 x 10 : 2pcs	-
G	3D	180-041-646	AS-NSDX-20LK-30-8		NSDX-20LK : 1pc AS Nut AS-8M4 : 6pcs Hexagon Socket Button Head Screw M4 x 6 : 3pcs Bracket AS-NSDX-B : 1pc Hexagon Socket Head Cap Screw M4 x 12 : 4pcs Bracket AS-NSDX-A : 1pc Hexagon Socket Head Cap Screw M4 x 10 : 2pcs	-

[Dimensions (Inset)]



[Dimensions (Overlay)]



Refer to 1 : FRONT P.20

LIFT ASSIST STAYS

SOFT CLOSING STAYS

TORQUE STAYS

HEAVY DUTY LOCKING STAYS

FOOT STAYS

LID STAYS

OTHER STAYS

TOP-OPENING

DOWNWARD-OPENING

UPWARD-OPENING

BOTTOM-OPENING

SWING DOOR

LIFT-UP

LIFT-DOWN

UP & OVER

BI-FOLDING

OVER THE TOP