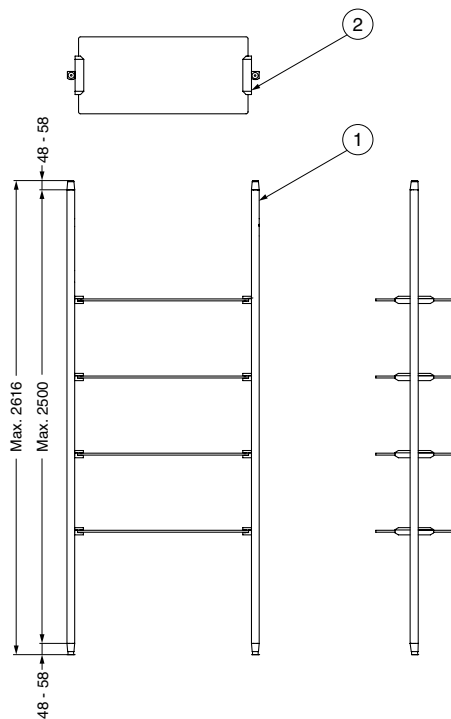


UNIT SHELF TYPE "C"

XLA-US02C

BRACKETS & SHELVING SYSTEM FOR GLASS UNIT SHELF XLA-US02C



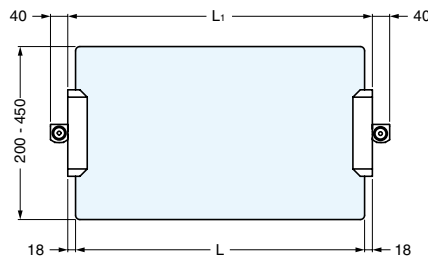
Features

- Simple and modern design
- There is no front or back to the shelves and they can be used either way can also be used as partitioning shelves.
- When placed in the middle of an interior, provides a gentle feeling to the entire area.
- In the middle of the frame are large clamps which provide a strong feeling of stability to the shelves.
- Can be used with LED type glass shelves
- Shelf height can be adjusted freely.

Application

Showcases, displays in retail stores, walk in closets, residential interiors

Glass Shelf Dimensions



$L(\text{Glass width}) = L_1 (\text{Distance between frames}) - 36$

XLA-US02C Parts Set (for 1 shelf)

Item Code	Item Name (set)	Weight
130-031-020	XLA-US02C	15.1 kg

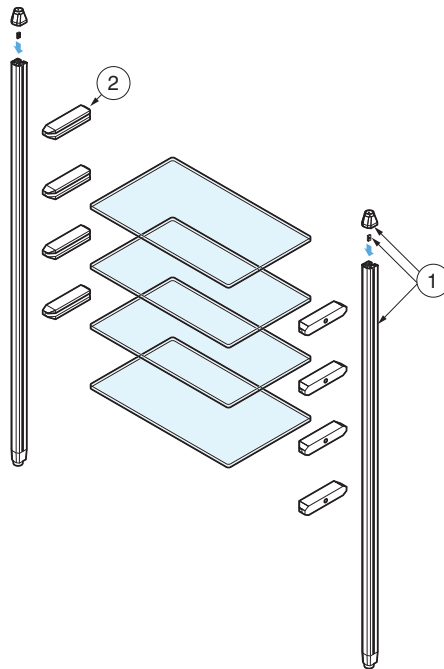
• Parts Included

	Item Name	Part Name	Qty
①	XLA-US02-S007	Vertical Frame	2 sets
②	XL-US01-S200	Shelf Clamp (For Glass Shelf)	8 pcs

Glass is not included.

<b>Load Capacity N</b>		343 N/Shelf
<b>Load Capacity kgf</b>		35 kgf/Shelf
<b>Glass Thickness</b>		8 or 10
<b>Glass Width</b>	<b>Glass Width: 8 mm</b>	Max. 1200
	<b>Glass Width: 10 mm</b>	Max. 1500
<b>Glass Depth</b>		200 - 450
<b>Vertical-Frame Height</b>		Max. 2500

Detailed View



XL-US02-S008



XL-US02-S009

BRACKETS & SHELVING SYSTEM

FOR GLASS

UNIT SHELF XLA-US02C

XLA-US02C Part Details

No.	Item Code	Item Name		Dimensions	Type	Qty
①	130-031-024	XLA-US02-S007	Vertical Frame (2 Slot Type)		<ul style="list-style-type: none"> <li>Material: Aluminium, Zinc Alloy</li> <li>Finish / Colour: Anodized, Grey</li> <li>Length: Max. Height : 2600 mm (Floor to Ceiling)</li> </ul> <p>*Single slotted frame available. Please see XLA-US02-S006 below for details.</p>	1 set
②	120-186-000	XL-US01-S200	Shelf Clamp (For Glass Shelf)		<ul style="list-style-type: none"> <li>Material: Zinc Alloy, Elastomer</li> <li>Finish / Colour: Enamel, Silver</li> <li>Glass Thickness: 8 mm, 10 mm</li> </ul> <p>*2 Clamps necessary for 1 shelf. *Glass shelf not included.</p>	1 pc

XLA-US02C Option Parts

Item Code	Item Name		Dimensions	Type	Qty
130-031-023	XLA-US02-S006	Vertical Frame (1 Slot Type)		<ul style="list-style-type: none"> <li>Material: Aluminium, Zinc Alloy</li> <li>Finish / Colour: Anodized, Grey</li> <li>Length: Max. Height : 2600 mm (Floor to Ceiling)</li> </ul>	1 set
130-188-732	XL-US02-S008	Wall Mounting Bracket		<ul style="list-style-type: none"> <li>Material: 304 Stainless Steel, Steel</li> <li>Finish / Colour: Grey</li> </ul>	1 pc

\*SCS13 is equivalent of SUS304.