

LEVEL ADJUSTABLE SHELVING SYSTEM

VT-DS



Features

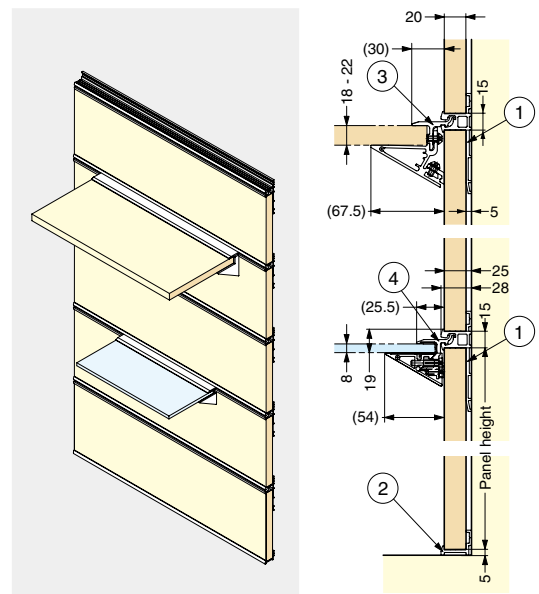
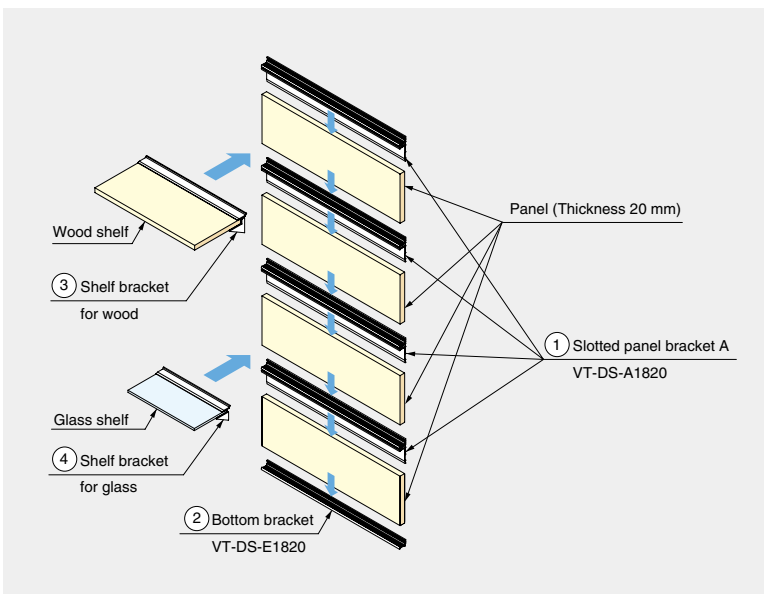
- Heavy load capacity freely adjustable slotted shelving system
- Uses the wall to give an open feeling of a hanging display
- Adjustment of layout, installation and removal of shelves can be done freely
- Shelves are inserted into grooves in the wall
- No need to bore grooves into the wall, installation is simple and easy
- New feature makes it more difficult to remove shelves once they are set
- Both glass and wooden shelves are available (both sold separately) so that you can produce the type of designs you are looking for.
- Shelf Size : Thickness - 20 mm Width - Max. 1820 mm Height - 105 - 405 mm
- *Shelf not included

Application

Displays in retail stores, walk in closets, residential interiors

BRACKETS & SHELVING SYSTEM

LEVEL ADJUSTABLE SHELVING SYSTEM VT-DS



Item Code	Item Name		Dimensions	Material	Finish/ Colour	Length L	Panel Thickness	Shelf Board			Load Capacity*		Weight
								Width	Depth	Thickness			
① 130-031-205	VT-DS-A1820	Slotted Panel Bracket A		Aluminium Alloy	Anodized Silver	1820	20	-	-	-	-	-	2.6 kg
② 130-031-207	VT-DS-E1820	Top/Bottom Bracket		Aluminium Alloy	Anodized Silver	1820	20	-	-	-	-	-	0.8 kg
③ 130-031-201	VT-DS-X-450	Shelf Bracket for Wood		Aluminium Alloy, ABS	Anodized Silver, Grey	443	-	450 - 600	150 - 300	18 - 22	392 N	40 kgf	1.2 kg
130-031-202	VT-DS-X-800					793		800 - 900					2.0 kg
④ 130-031-203	VT-DS-G-450	Shelf Bracket for Glass		Aluminium Alloy, ABS	Anodized Silver, Grey	443	-	450 - 600	150 - 300	8	98 N	10 kgf	0.8 kg
130-031-204	VT-DS-G-685					678		685 - 900					1.2 kg

*Load capacity does not include weight of shelf.