

SHELF SUPPORT

TEST METHOD 9

STAINLESS 304 STEEL

SPB-20



SPB-20

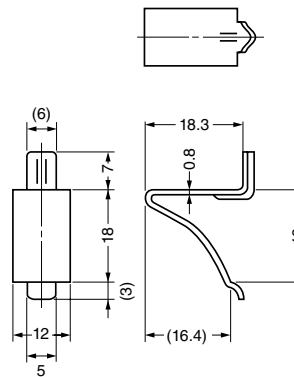
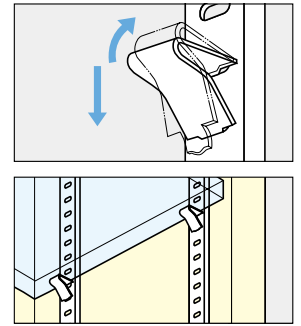


SPB-20WT

Features

- Reliably quick installation on and disassembly from shelf standards.
- Designed to hold items in place even if exposed to small vibrations.

Installation



Item Code	Item Name	Type	Material	Finish	Load Capacity/4 pcs	Weight	Box	Carton	
120-030-015	SPB-20	With Protection Tape	Stainless Steel (SUS304)	Satin	441 N	45 kgf	3.6 g	300 pcs	3000 pcs
120-031-474	SPB-20T	Without Protection Tape	Stainless Steel (SUS304)	Satin	441 N	45 kgf	3.6 g	300 pcs	3000 pcs
120-030-693	SPB-20WT	Without Protection Tape	Stainless Steel (SUS304)	White	441 N	45 kgf	3.6 g	300 pcs	3000 pcs

SHELF SUPPORT

TEST METHOD 9

STAINLESS 304 STEEL

SPF-20



SPF-20



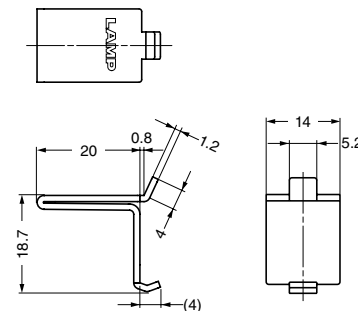
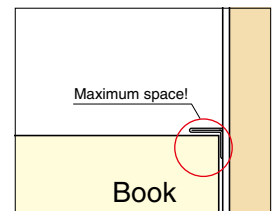
SPF-20WT

Features

- Reliably "clicks" into place during install
- Thin profile reduces dead space, making it a great solution for bookcases

Sold Separately

Shelf holder SPF-20A (P.168)



Item Code	Item Name	Type	Material	Finish/Colour	Load Capacity/4 pcs	Weight	Box	Carton	
120-030-116	SPF-20	With Protection Tape	Stainless Steel (SUS304)	Satin	785 N	80 kgf	7 g	300 pcs	3000 pcs
120-030-117	SPF-20T	Without Protection Tape	Stainless Steel (SUS304)	Satin	785 N	80 kgf	7 g	300 pcs	3000 pcs
120-030-684	SPF-20WT	Without Protection Tape	Stainless Steel (SUS304)	White	785 N	80 kgf	7 g	300 pcs	3000 pcs