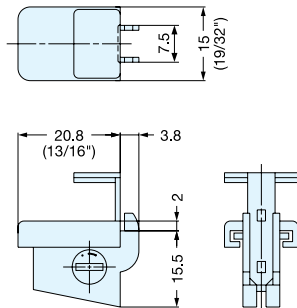


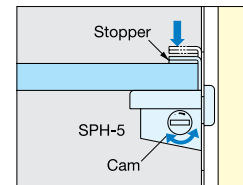
SHELF SUPPORT (W/HOLDER)



SPH-5



- Shelf support for SPH-1820.
- Shelf support is friction retention.
- Glass thickness: 4 - 8 mm (5/32" ~ 5/16") thickness
- Rubber pad provides a gripped surface to reduce slippage.

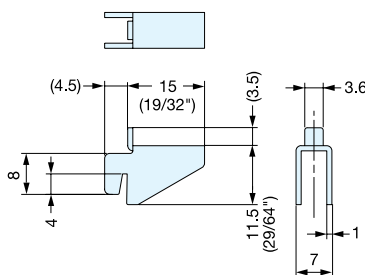


Item No.	Load Capacity (kg)	Weight (g)	Box (pcs)	Carton (pcs)	Material	Finish/Color
SPH-5	130 (286 lbs)/4pcs	8	100	1000	304 Stainless Steel	Satin
					Synthetic Rubber pad	Black

SHELF SUPPORT



SPH-15



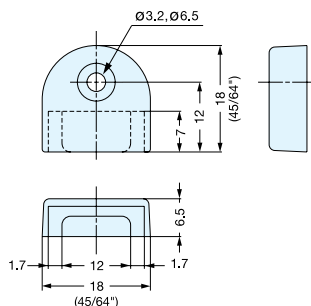
- Shelf support for SPH-1820.

Item No.	Load Capacity (kg)	Weight (g)	Box (pcs)	Carton (pcs)	Material	Finish
SPH-15	130 (286 lbs)/4pcs	2.6	400	4000	304 Stainless Steel	Satin

END CAP



SP-18E



- End cover cap for SPH, SM, SP shelf standards.

Item No.	Weight (g)	Box (pcs)	Carton (pcs)	Material	Color
SP-18E/BLK	1.3	500	5000	ABS	Black (BLK)/White (WHT)
SP-18E/WHT					