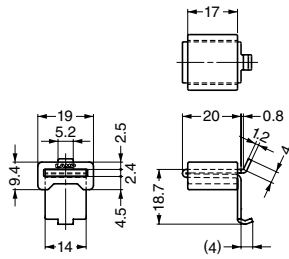


LEVELING SHELF SUPPORT



SPF-20LC



Features

- For SP and SPS (P.166).
- Shelf level is adjustable by turning the silicone cap upside down.
- Silicone cap prevents shelf from slipping. Ideal for glass shelves.

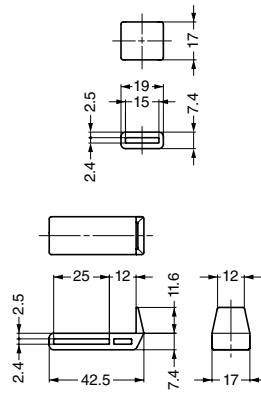
Level Adjustment



Item Code	Item Name	Material	Finish/Colour	Load Capacity/4 pcs	Weight	Box	Carton	
120-030-335	SPF-20LC	Stainless Steel (SUS304) /Silicone (Si)	Satin/Natural	785 N	80 kgf	9.5 g	200 pcs	2000 pcs

SHELF HOLDER

SPF-20A

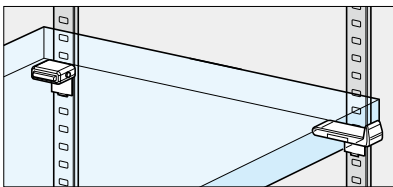


Features

- To be used together with SPF-20
- Keeps shelf in place, protecting against adjustment during cleaning or other maintenance activities.

Remarks

One each of front and back holder as set.



Item Code	Item Name	Material	Colour	Weight	Box	Carton
120-040-548	SPF-20A	Polyethylene (PE)	White	4 g	100 pcs	2500 pcs

SHELF HOLDER



SPB-200

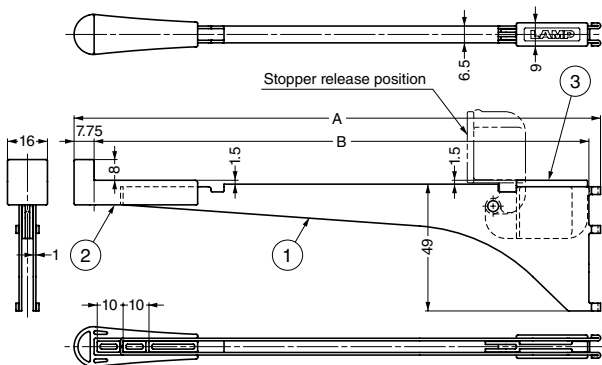


Features

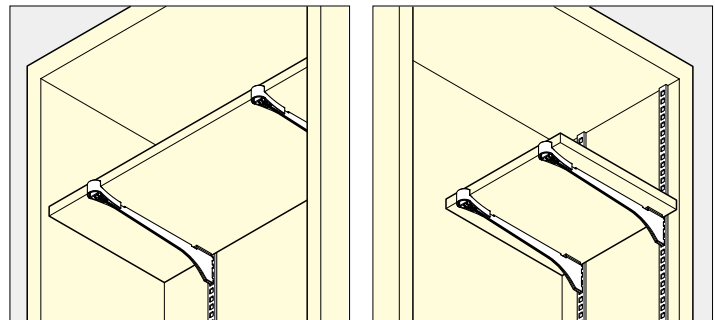
- For SP and SPS shelf standard
- Adjustable to three different lengths
- Raised ends protect against slippage or shelf falling
- Can be used with glass

Remarks

Maximum size of shelf board is Width 900 mm x Depth 200 mm.



Installation



No.	Part Name	Material	Finish/Colour
①	Body	Stainless Steel (SUS304)	Satin
②	Holder	Polypropylene (PP)	White
③	Stopper	Polypropylene (PP)	White

Item Code	Item Name	A	B (Board Depth)	Load Capacity/2 pcs	Load Capacity/3 pcs	Weight	Box
120-022-204	SPB-200	194, 204, 214	180, 190, 200	98 N/2 pcs 10 kgf/2 pcs	147 N/3 pcs 15 kgf/3 pcs	65 g	50 pcs