

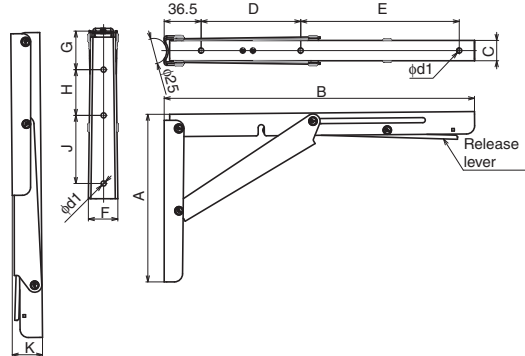
FOLDING BRACKET

LOAD CAPACITY 200 kgf **NSF SUS** **EB**



Features

- Automatically locks when flap is in opened position.
- Press lever to release the lock.
- Bracket with hinge function in one unit.

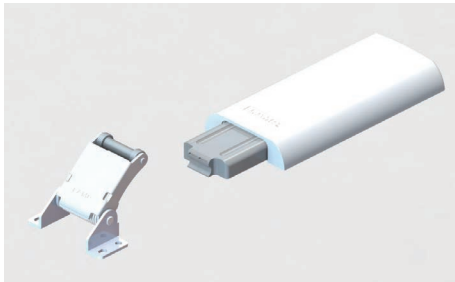


Item Name	A	B	C	D	E	F	G	H	J	K	d ₁
EB-200/EP	116	201	20	155	-	29	21	80	-	28.5	5
EB-303/EP	165	307		98	156	38	45	67	30	6	
EB-317/EP	171	318.5	24								

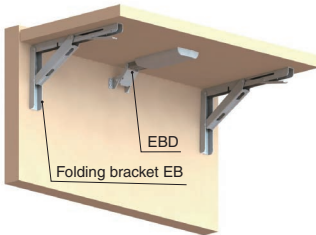
CAD	Item Code	Item Name	Material	Finish	Load Capacity N	Load Capacity kgf	Weight (g)	Box (pcs)	Carton (pcs)
	120-041-277	EB-200/EP	Stainless Steel (SUS304)	Mirror	1716	175	332	50	-
	120-018-226	EB-303/EP	Stainless Steel (SUS304)	Mirror	1471	150	500	20	-
	120-041-278	EB-317/EP	Stainless Steel (SUS304)	Mirror	1961	200	750	25	-

DAMPER FOR EB FOLDING BRACKET

Lapcon **INSTRUCTION** **EBD**



Application Example



Features

- Designed for use in combination with EB folding bracket.
- Lapcon damper mechanism prevents shelf from slamming when released.
- Installation position is easy to determine with supplied template.

Remarks

- Make sure to have sufficient in installation place strength.
- Please completely close shelf board with hands.

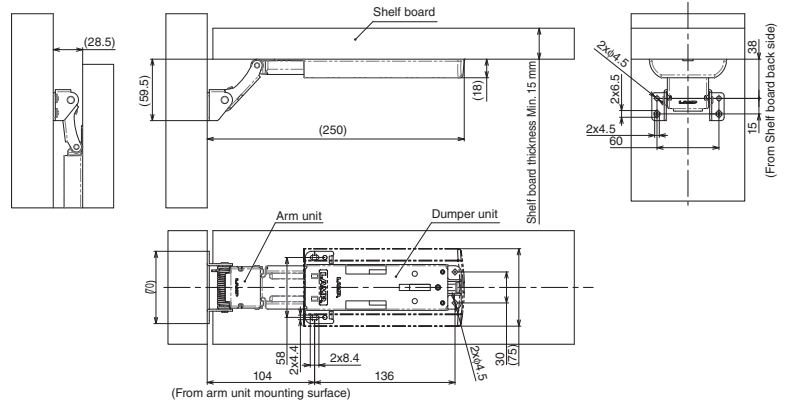
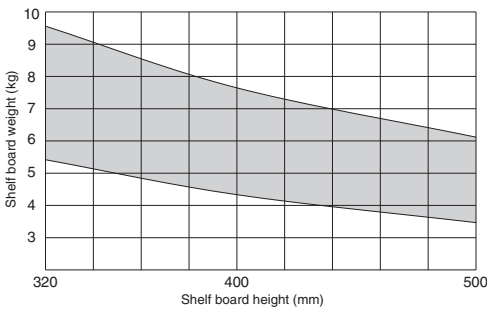
Parts Included

- Binding head tapping screw 4x16
- Template

Sold Separately

Folding bracket EB

Shelf board Size Range



CAD	Item Code	Item Name	Material	Finish	Maximum Door Moment N-m	Maximum Door Moment kgf-cm	Flap thickness	Weight (g)	Box (pcs)	Carton (pcs)
	120-034-867	EBD	ABS/POM/Steel	Off-White/Zinc/Chrome	8.5 - 15	86.7 - 153.0	Min. 15	400	1	20