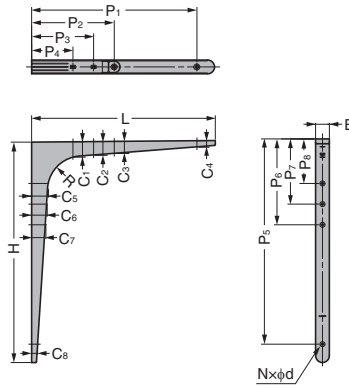


BRACKET BT, BTK



- Strong and safe structure.
- Can be used as reinforcement or connector in the corner as well.
- BT is made of stainless steel, suitable for corrosive environments.
- BTK is made of steel, with three colours available: White, black and umber.

[Remarks]

- To prevent inclination due to the load when using as a shelf bracket, the opening angle is slightly more than 90°. Please check with actual item.

[Parts Included]

- Raised countersunk head wood screw

RECESSED HOOKS

LATCH HOOKS

SWING HOOKS

SMALL HOOKS

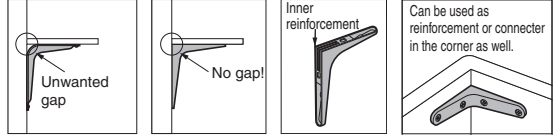
LARGE HOOKS

PANEL HANGER

BRACKETS & SHELVING SYSTEMS

	Material	Finish / Colour	Screw
BT (Satin)	Stainless Steel (SUS304)	Satin	Stainless Steel
BTK (White)	Steel (SECC)	White Powder Coating	White Enamel Finish
BTK (Black)		Black Powder Coating	Black Enamel Finish
BTK (Umber)		Umber Enamel Finish	Umber Enamel Finish

Conventional bracket BT, BTK



R#	CAD	Item Code	Item Name	Finish / Colour	H	L	B	P ₁	P ₂	P ₃	P ₄	P ₅	P ₆	P ₇	P ₈	Load Capacity N/pc	Load Capacity kgf/pc	Weight (g)	Box (pcs)	Carton (pcs)
1	3D	120-030-078	BT-85	Satin	86	69		58	27			75	26			147	15	45	20	240
2	3D	120-030-093	BTK-85W	White														46	20	240
3	3D	120-030-172	BTK-85B	Black														46	20	240
4	3D	120-030-189	BTK-85UM	Umber													46	20	240	
5	3D	120-030-079	BT-120	Satin	120	100	15	85	43			106	42			196	20	64.4	20	100
6	3D	120-030-094	BTK-120W	White														63	20	100
7	3D	120-030-173	BTK-120B	Black														68.3	20	100
8	3D	120-030-190	BTK-120UM	Umber													62	20	100	
9	3D	120-030-080	BT-180	Satin	180.5	148.5		131	71	50		162.5	72.5	51.5		245	25	123	20	-
10	3D	120-030-095	BTK-180W	White														124	20	-
11	3D	120-030-174	BTK-180B	Black														127	20	-
12	3D	120-030-191	BTK-180UM	Umber													122	20	-	
13	3D	120-030-081	BT-240	Satin	240	199	18	176	91	59		217	92	60		274.4	28	221	10	-
14	3D	120-030-096	BTK-240W	White														237	10	-
15	3D	120-030-175	BTK-240B	Black														234	10	-
16	3D	120-030-192	BTK-240UM	Umber													232	10	-	
17	3D	120-030-082	BT-300	Satin	301	238.5	20	206.5	92.5	60.5		269	95	63		343	35	307	10	-
18	3D	120-030-097	BTK-300W	White														323	10	-
19	3D	120-030-176	BTK-300B	Black														323	10	-
20	3D	120-030-193	BTK-300UM	Umber													323	10	-	
21	3D	120-030-083	BT-380	Satin	378	318	23	285	145	110	75	345	145	110	75	637	65	519	10	40
22	3D	120-030-085	BTK-380W	White														519	10	-
23	3D	120-030-177	BTK-380B	Black														519	10	-
24	3D	120-030-194	BTK-380UM	Umber													519	10	-	
25	3D	120-030-155	BT-480	Satin	480	400	30	360	180	135	90	440	180	135	90	808.5	82.5	1200	6	-
26	3D	120-030-156	BTK-480W	White														1230	6	-
27	3D	120-030-178	BTK-480B	Black														1220	6	-
28	3D	120-030-195	BTK-480UM	Umber													1329	6	-	

Item Name	d	Holes N	Weight	C ₁	C ₂	C ₃	C ₄	C ₅	C ₆	C ₇	C ₈	R	Screw (Countersunk Head Wood Screw)	
BT-85	4	4	40			(9)				(12)		(25)	3.5×16 (3 pcs), 3.5×25 (1 pc)	
BTK-85														
BT-120														
BTK-120														
BT-180	6	6	110		(14)	(12)			(15)	(13)		(30)	3.5×16 (2 pcs), 3.5×20 (1 pc), 3.5×25 (1 pc), 3.8×32 (2 pcs)	
BTK-180														
BT-240														
BTK-240														
BT-300	8	8	200		(16)	(13)			(16)	(14)	(7.5)	(35)	3.5×16 (1 pc), 3.5×25 (2 pcs), 3.5×32 (1 pc), 3.8×38 (2 pcs)	
BTK-300														
BT-380														
BTK-380														
BT-480	5.5	8	310		(19.5)	(17)			(19)	(17.5)	(9)	(70)	3.5×20 (1 pc), 3.8×32 (3 pcs), 4.5×25 (1 pc), 4.5×38 (2 pcs), 4.5×45 (1 pc)	
BTK-480														
BTK-480	5.5	8	1100		(35)	(30)	(27)	(14)	(37)	(33)	(30)	(13)	(70)	5×30 (2 pcs), 5×40 (2 pcs), 5×50 (3 pcs), 5×60 (1 pc)
BTK-480														