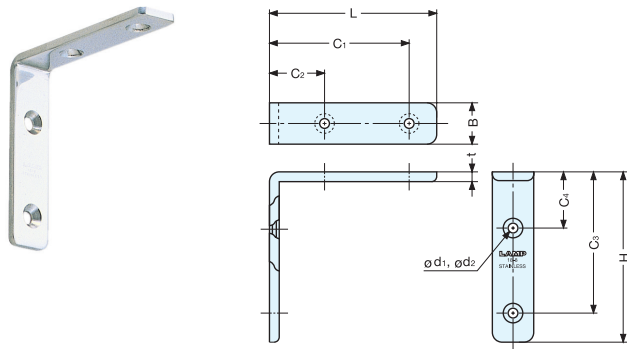


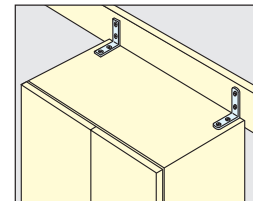
ANGLE BRACKET



SU



• Stainless steel bracket with soft and sleek design.



Installation

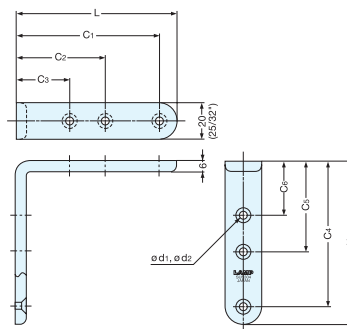
Material	Finish
304 Stainless Steel	Mirror (M), Satin (S)

Item No.	SU-30/S	L	H	C ₁	C ₂	C ₃	C ₄	B	t	d ₁	d ₂	Holes	Load Capacity (kg)	Weight (g)	Box (pcs)	Carton (pcs)	Screw
SU-30/M	SU-30/S	30 (1-7/32")	30 (1-7/32")	24	11	24	11	12 (15/32")	2.5	3.5	6.5	4	6 (13 lbs)	11	60	960	3.1 × 20
SU-45/M	SU-45/S	45 (1-13/16")	45 (1-13/16")	37	17	37	17	13 (33/64")	3.0	4.0	7.5	4	5 (11 lbs)	23	50	800	
SU-60/M	SU-60/S	60 (2-13/32")	60 (2-13/32")	50	20	50	20	15 (19/32")					4 (9 lbs)	36	40	640	

ANGLE BRACKET



SU-A



• Stainless steel angle bracket for applications where corrosion is an issue.

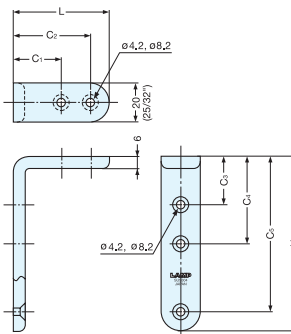
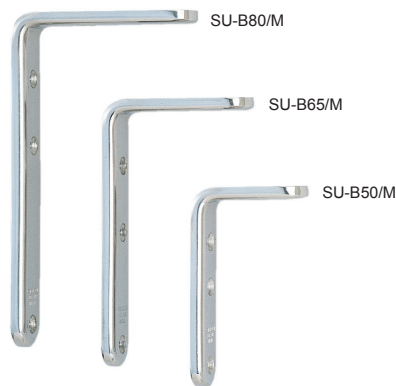
Material	Finish
304 Stainless Steel	Mirror

Item No.	L	H	C ₁	C ₂	C ₃	C ₄	C ₅	C ₆	d ₁	d ₂	Holes	Load Capacity (kg)	Weight (g)	Box (pcs)	Carton (pcs)
SU-A70/M	70 (2-3/4")	70 (2-3/4")	-	60	30	-	60	30	4.2	8.2	4	24 (52 lbs)	107	10	100
SU-A90/M	90 (3-35/64")	90 (3-35/64")	80	50		80	50					17 (37 lbs)	140		
SU-A120/M	120 (4-23/32")	120 (4-23/32")	110	60	30	110	60	30	4.2	8.2	6	13 (28 lbs)	194	8	80
SU-A150/M	150 (5-29/32")	150 (5-29/32")	140			140						60	10 (22 lbs)		

ANGLE BRACKET



SU-B



• Stainless steel angle bracket for applications where corrosion is an issue.

Material	Finish
304 Stainless Steel	Mirror

Item No.	L	H	C ₁	C ₂	C ₃	C ₄	C ₅	Holes	Load Capacity (kg)	Weight (g)	Box (pcs)	Carton (pcs)
SU-B50/M	50 (1-31/32")	90 (3-35/64")	25	40	25	45	80	5	13 (28 lbs)	106	10	100
SU-B65/M	65 (2-9/16")	120 (4-23/32")	30	55	30	60	110			145		
SU-B80/M	80 (3-5/32")	150 (5-29/32")		70			30	60	140	5	10 (22 lbs)	186