




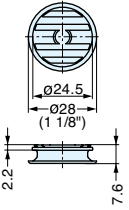
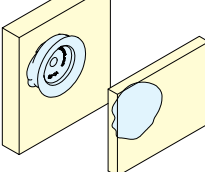

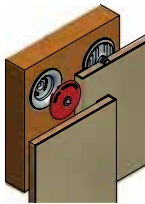
VERY LOW PROFILE RANGE SERIES



PANEL MOUNTING SYSTEM

FASTMOUNT® -VERY LOW PROFILE RANGE

The VL-03 is made of fire grade plastic that is V-O rated by the Underwriters Laboratory (UL®). Perfect for mounting removable thin wall panels and facings. This clip set requires less depth compared to other Fastmount® ranges. No special installation tools are required. The clip set may be adhesive and/or screw fixed. Ideal for mounting panels where no drilling is preferred. Typical applications include wall panels, headboards and inspection panels.

VL-03/VL-03H		Item No.	Dimensions	Diagram Spacing Options	Description
VL-03 (Standard) 	Female Clip 	VL-03H (Heavy Duty) 		Surface Mount 	CLIP SET For surface or recessed mounting. Can be screw or glue fixed. No special tools required. Pull Out Force: VL-03: 11 lbs (5 kg) per clip VL-03H: 22 lbs (10 kg) per clip Material: Grey acetal / Black nylon Box: 100 Carton: 500 Supplied with: Stainless steel screw (VL-SS3)
	Male Clip 			Recess Mount 	

Accessories



VL-CP3 VERY LOW PROFILE CENTER POINT

Use to mark hole center in panel for correct clip alignment. Has stainless steel tip for marking panel or frame.

Installation: Female & Male Clips



VL-SS3 STAINLESS STEEL SCREW

Custom type 303 stainless steel screw for fixing Male Chip into panels down to 1/4" (5.5 mm) thick.

Stainless Steel Screw Installation

