
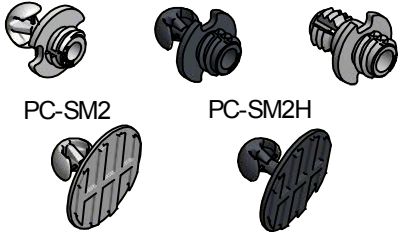
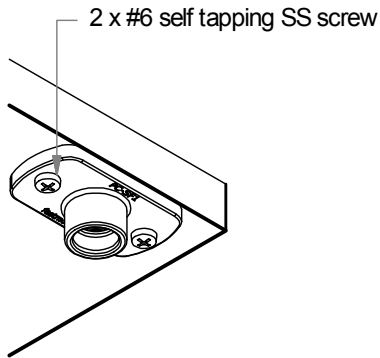


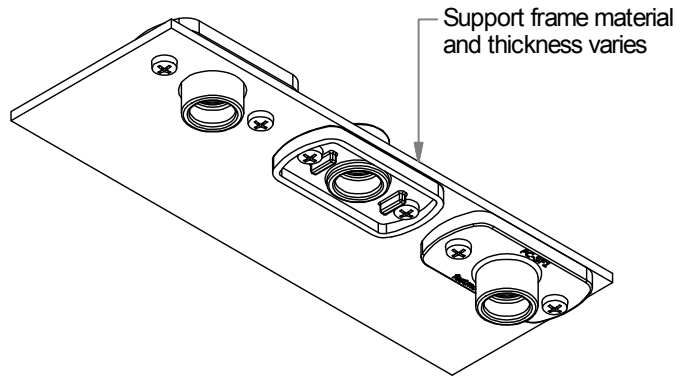
PC-SF1 Surface mount female (page 1 of 2)

	<p>USE WITH:</p> <p>PC-M1A PC-M2H VS-M1</p> <p>PC-SM2 PC-SM2H</p> 	<p>INSTALL WITH:</p>
<p>INSTALLATION STEPS (see reverse for more options)</p>		

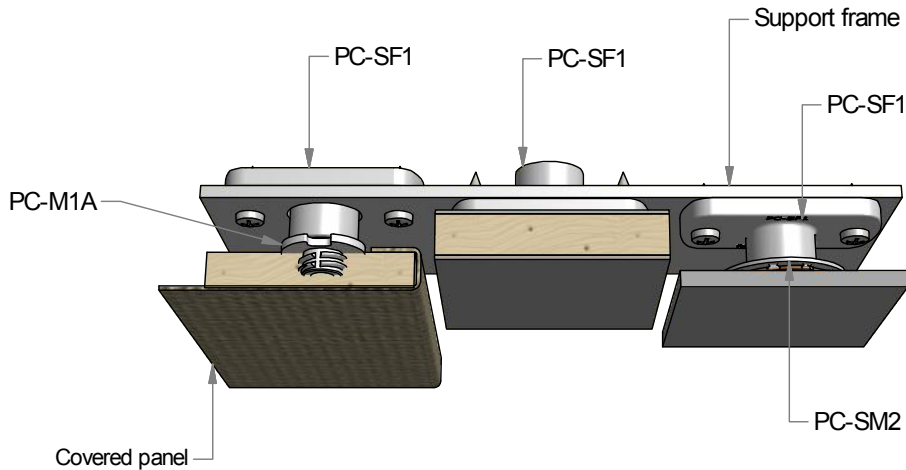
1 Screw fix PC-SF1 to frame



2 Options for mounting PC-SF1 to support frame




3 Options for mounting PC-SF1 to support frame and male clip and panel types

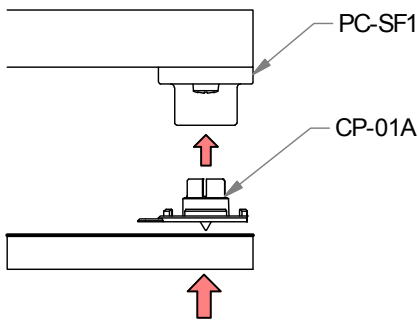


MORE INFO: Setout Guide TD-02

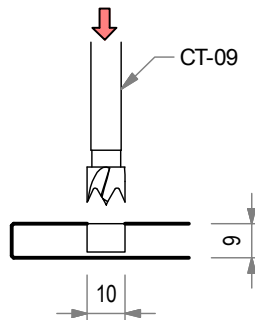
PC-SF1 Surface mount female (page 2)

	<p>USE WITH:</p> <p>PC-M1A PC-M2H VS-M1</p> <p>PC-SM2 PC-SM2H</p>	<p>INSTALL WITH:</p> <p>CP-01A CT-09 CT-10</p>
<p>INSTALLATION STEPS (continued from previous page)</p>		

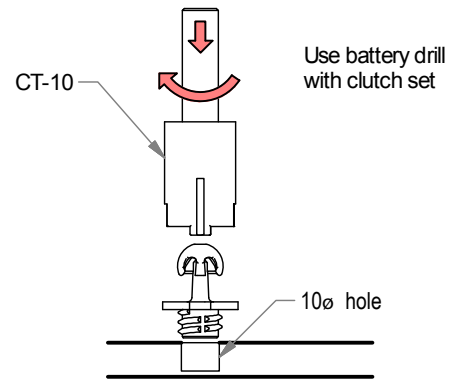
1 Fit CP-01A into PC-SF1 then push panel to mark center



2 Drill panel on center mark with CT-09 7.5mm deep

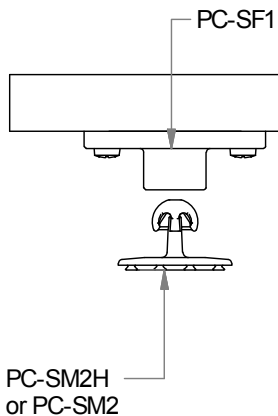


3 Screw fit male clip with CT-10

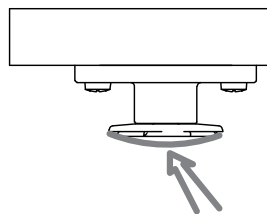


INSTALLING ADHESIVE FIT MALE CLIPS (first complete step 1, page 1)

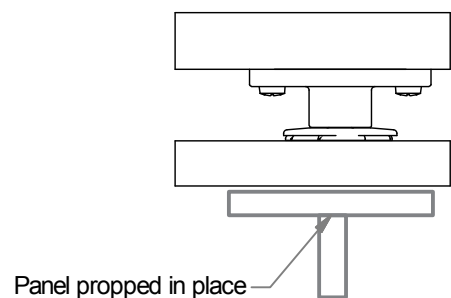
4 Clip PC-SM2 into PC-F1



5 Apply adhesive to PC-SM2



6 Place panel & support while adhesive dries



MORE INFO: Setout Guide TD-02